



Elk & Wapiti Bull Sale

Tuesday 16th January 2024

Viewing: 11.30am

Sale: 1 pm



John & Mary Falconer

316 Puketoi Runs Road, Ranfurly, 9398

Mob: 0274 344593, Email: info@cbdeer.co.nz



PGG Wrightson Agents

Graham Kinsman

Mob: 0274 223154

John Williams

Mob: 0272 414179

Murray Coutts

Mob: 0274 039377

Luke Thompson

Mob: 0273 083426

Ron Schroeder

Mob: 0274 321299

Ben Beadle

Mob: 0277 281052

John Duffy

Mob: 0272 403841

RLL Agents

Adam Whaanga

Mob: 0274 183438

Craig North

Mob: 0274 730864

Other Agents

Hazlett Livestock

Sam Martin

Mob: 0275 610000

Carrfields Livestock

Clayton Jones

Mob: 0275 048606



Hello and welcome to the 2024 Clachanburn sale catalogue. We are reaching the end of a constructive year that has seen deer earning solid returns and some of the volatility we have experienced in the last couple of years transfer to other stock types.

The maximum peak price weights have increased over the last few years. It used to be 60kg and now it is in the 100kg+ bracket, meaning buyers can benefit enormously by using Elk/Wapiti sires. Multiple meat companies are also offering premiums for Elk/Wapiti venison and while we can't speak for other buyers, this year we are averaging \$23.50 per kg more for our Elk than our red velvet. They have a special grade for Elk velvet that is grown out further than it has been in the past. This gives us both more weight and a better look at their potential as trophy animals. For those that are interested in this, there are some photos at the back of the catalogue of side-on antler of a selection of the sale deer. Demand is generally outstripping supply for them as trophies and we are looking at increasing the number we can offer our hunters.

New Zealand seems to be an attractive destination for hunters as the world lurches from one crisis to another and we opened Waitoi Creek Lodge in February. It was completely full for the Trophy season, showing the demand there was for bringing people from all over the world to hunt in our part of the Maniototo. Next step is learning to be tourist operators to open it to none hunters the rest of the year!

We look forward to seeing you on the 16th and hope that you manage to spend some time with friends and family over the summer months.

John and Mary Falconer
Clachanburn Elk

The Small Print

Guarantee

If a bull is proven to be sterile within 12 months of purchase it will be replaced by an animal of similar quality or the purchase price refunded. This guarantee refers specifically to sterility and not to any condition due to accident or illness.

Animal Health

All animals have received an oral dose of Cervidae drench and have had a 20g copper bullet prior to sale. This is recommended again post rut.

TB and Johnes

Our TB status is currently C10. All sale bulls were Tb movement tested in December and also Johnes tested negative with the paralisa test.

Grazing

Grazing is available for a limited period while making transport arrangements. All care and no responsibility.

Transport & Insurance

Purchasers to arrange transport at their own cost. Insurance facilities will be available on the day

Bull Inspection

Prospective buyers are welcome to visit prior to sale day. Please make arrangements with either your livestock agent or directly with John Falconer. Inspection on the day is from 11.30 am.

Accreditation

Clachanburn Elk is a Game industry board accredited deer farm

Farm Assured Livestock

We are audited for the NZ Farm assurance Program by AssureQuality

Refreshments

There will be a light luncheon before the sale and a venison BBQ and some beverages after the auction.

Conditions of Sale

1. The sale will be conducted by PGG Wrightson with the conditions of sale as set down by the New Zealand Stock and Stations Agents Association, a copy of which is exhibited in the office on sale day.
2. Each lot becomes the purchaser's property and risk at the fall of the hammer.
3. Warranties and Insurance are covered under separate headings.
4. Terms are strictly cash unless prior arrangements are made with the auctioneers. Accounts not paid within 14 days of sale shall bear interest, at current rate per annum from the date of sale.
5. The sale is conducted exclusive of GST
6. A buyers commission of 4% is payable to non-participating companies and recognised independent agents introducing and accompanying purchasers to the sale providing prior arrangements (No later than 24hrs prior to sale) are made with PGG Wrightson
7. Intending purchasers are required to register with the auctioneers prior to the commencement of the sale.

Disclaimer

All details and descriptions as to stock referred to in this catalogue have been supplied to PGG Wrightson by the vendor and have not been independently verified by PGG Wrightson. PGG Wrightson, its employees and agents make no representations or warranties or acknowledgement of any kind whatsoever in relation to any part of this catalogue including but not limited to accuracy or completeness of details and descriptions of stock and other contents.

Purchasers, advisers and all other persons viewing or dealing with the stock must make their own assessment on the stock and the information in the catalogue.

PGG Wrightson, its employees and agents are not responsible or liable in any way whatsoever, whether in contract, tort (including negligence), or otherwise, to any person for any loss or any damage whatsoever arising directly or indirectly from any information or misrepresentation included or omitted from this catalogue

Online Auction

As well as the normal auction we will have **bidr**® live streaming at the sale.



NZ's Virtual Saleyard

This sale will be hosted by bidr® (www.bidr.co.nz) as a HYBRID ON-FARM auction, with online bidding and a live-stream available for online purchasers. All intending ONLINE purchasers must register with bidr® in advance of the sale date.

The bidr® team is available to assist intending purchasers with signing up and registering. Please call 0800 TO BIDR (0800 86 2437), or email enquiries@bidr.co.nz for assistance at any point.

Alternatively, contact your local bidr® representative:

Upper North Island: Bruno Santos 027 2218276 Lower North Island: Aimee Flynn 027 2821710

Upper South Island: McKenzie Alfeld 027 3418066 Lower South Island: Sam Murphy 027 2432736

Sales Coordinator: Olivia Manley 021 02203639

Statistics

%Elk

The figure shown is the Elk component of the breed composition from Genomnz.

Weights

The bulls were weighed in March as well as May. We wean in March and post rut in the first week of May. The weaners were weighed again at 9 months of age in the first week of September and again at eye-muscle scanning at the end of October and then again in January. All bulls kept are weighed again the following January and then at the end of December to give us an indication of adult weight.

Birth dates and growth rates

We use foetal age data where available to calculate birth date. Where not available, we have used an average calving date. This is marked with a * and this year is 08/12/2019. A nominal birth weight of 17 kg for Elk males has been used in line with other Elk studs.

EMA

The yearling animals on both studs were scanned for eye muscle area. Both an actual figure and the EBV for this are listed here. This is still not specifically financially rewarded!

Velvet Weight

As already mentioned, these bulls have been grown to a special Elk grade, which is longer than it has traditionally been, therefore the weights have taken quite a jump up from previous years. This also resulted in some of them being uncut when the photos were taken. All velvet will be removed by sale day.

EBV's

There are EBV's for different traits. However, the linkage between wapiti herds is non-existent in all traits but growth. Even here the linkage is becoming weaker making the comparison between farms unreliable. We have used across herd figures and the percentile bands and colours are provided by Deerselec. They are for 2020 born animals and were current in December, purely across Wapiti herds, not any other species.

The animals are ranked for the sale catalogue data, not for the entire year group. EBV's were true as of 6 December 2023, but unlike growth rates and actual weights they will change as more information is added.

Terminal Index

This is a figure developed by Deerselec. "The Deer Terminal index is a combination of Growth and Meat Breeding values multiplied by an economic weighting to give the overall genetic merit in dollars." However as stated meat connectedness for herds is non-existent in Wapiti, they are only connected by growth.

Velvet EBV's

Please note these are inherd EBV's at this stage.

Carla

The CARLA Saliva test has been developed by AgResearch scientists as a powerful tool for selecting deer with greater immunity to internal parasites. The test measures antibodies against worm larvae in deer saliva: animals with high levels of antibodies are better at preventing worms establishing in the gut. This is a research EBV and while it is supposedly across herds there is actually no connectiveness for CARLA between wapiti herds.

Fertility Testing

For the last 6 years Xcell breeding has been fertility testing the bulls. This comprises of a physical examination as well as microscopic evaluation of the semen.

Care for your bull

Make sure your bulls are out with the females nice and early, ie. mid to late February. Elk are more active early in the rut than later so aim for a high percentage first cycle. This will also give you earlier weaners.

We recommend bulls removed late April to early May. May is the recovery month and dictates the next period, velvet growth. We give all sire bulls a drench and copper (and selenium if required) when they come out. Experience has shown us this is much easier done straight away... don't leave it for a fortnight.

Ensure they are in a safe and secure paddock with lots of feed. Supplement with Lucerne or equivalent. We repeat the health plan before button drop, early to mid-August.

Please talk to your velvet buyer before harvesting time. Elk velvet is very different to red velvet and should not be treated the same.

The Future

Many of our older stud bulls will be grown out to trophy in the next few months, leaving room for the younger bulls to take their place in the stud. We are confident that the new generations will surpass their sires with velvet, growth rates and trophy as the stud moves forward

Tombstone won this year's National velvet competition open section with a wonderful 21kg head. This bull was over 200kg at 13 months and had an EMA of over 40, so a great all-rounder. One of the bulls we didn't put up for sale last year, Resolute came second in the 4 yr section with a beautiful even head and there are some pretty special individuals moving into the stud paddock this year.



Lucy struggling to hold Tombstone's 21kg head



Clachanburn Resolute December 2023

Sire List

Arizona (OR111379): A son of Phoenix that has been leaving us some outstanding progeny. Fast, early growth rates, and tidy, big velvet heads seem to be characteristics of his offspring.

Bigwig (DB12315): A great son of Boss with fantastic velvet and a great body. Many of his progeny are inheriting that big, heavy body.

Bender (WH15281): A strong stocky bull with that has been used across our younger hinds.

Chief (OR11166): Another son of Boss that has been showing a great body weight and EMA traits. He grows a respectable velvet head and has been leaving some big progeny.

Magic Mike (OR11135): The result of an AI program using Mayfield Magic he is a great tall bull of the more traditional pure type.

Meads: A great cross of Littlebourne and Connemara genetics that has produced a big meaty bull that is pushing up EBV figures for growth. The animals in the catalogue were bred at the Connemara Stud.

No. 1 (PK13001): The youngest of the Boss sons in the sire pages, big, quiet with a good head of velvet. He is leaving some very heavy offspring.

Seafire (PK13201): A stocky bull that has been leaving some impressive offspring

Skyfall (GN09139): An outstanding son of 007 this home bred bull was massive in body, big in velvet and sensible in temperament. He grew out a massive hard antler head in 2019



Bigwig



Meads



Skyfall

Spectre (WH15393): This son of 007 is a large bull that has been used for a number of years across our younger hinds.

Storm (913/09): Bought from Tikana stud as a 5 year old, we picked this son of Trilogy for his great body, heavy velvet and outstanding antler shape. He grew an incredible wide head of hard antler.

The Hood (DB12049): A very big dominant bull that has produced some of our heaviest terminal sires. A good doer he also grew a heavy velvet head

Tombstone (PU16475): The winner of this year's national velvet competition at open grade. Not only has he cut over 20kgs of velvet this year, he was over 210 kgs as a 9 month old, and has an EMA of over 40. An incredible all-round bull.

Tucson (OR11248): One of several great Phoenix sons from 2011 who was the first Clachanburn bred animal to break 20kgs velvet at 8yrs. Big and strong in the body.

Typhoon (WH15331): This big bull has been a popular bull in our export programs, producing some great velvet heads and stocky bodied bulls.

BK14021: A big bull that hit over 200kg as a 13 month old and then grew an impressive velvet head.

PK13164 & PK13582: Two great bulls that had both high growth rates and heavy velvet.

PU16179: This bull was one of the best of Megatron's offspring, combining a big body with a very tidy head of antler.



Seafire



Tombstone



The Hood

Clachanburn Sale Bull Summary: By Tag Number

Tag No	Lot No	3 yr Velvet	May Weight	9 Mth Weight	13 Mth Weight	12 Mth EBV	EMA EBV	Term sire index	36 Mth Weight
LB20 003	52	6.68	114	121	176	16.16	0.8	26.54	293
LB20 004	44	4.89	140	154	219	21.9	0.36	35.73	296
LB20 006	17	6.64	113	135	192	14.89	0.11	19.94	329
LB20 009	49	5.62	112	124	167	11.07	0.19	17.72	303
LB20 013	25	6.55	114	124	181	12.94	0.77	23.51	320
LB20 020	24	7.08	115	130	197	15.44	1.06	25.21	335
LB20 023	59	5.54	120	126	173	12.87	0.51	22.97	273
LB20 027	3	7.56	130	144	219	17.25	0.79	26.60	384
LB20 031	6	9.67	124	139	201	16.14	0.5	24.85	354
LB20 034	9	5.2	124	136	202	10.9	0.42	19.44	349
LB20 040	19	7.48	114	122	180	12.2	-0.32	20.42	325
LB20 042	12	5.98	119	126	189	9.33	0.54	15.05	332
LB20 048	10	7.27	121	139	198	13.9	0.34	21.84	341
LB20 059	45	5.22	120	123	194	14.74	0.81	26.68	338
LB20 069	39	4.38	126	125	183	16.98	0.42	25.49	314
LB20 075	37	4.76	121	132	196	15.21	-0.31	24.60	316
LB20 081	5	6.91	120	146	208	16.55	0.96	26.05	350
LB20 083	35	5.33	113	134	185	12.4	-0.19	16.79	316
LB20 092	11	5.12	110	137	197	16.97	0.26	25.13	343
LB20 094	4	7.69	114	129	200	15.03	1	21.24	368
LB20 106	36	5.75	114	129	200	14.86	0.64	26.04	313
LB20 122	34	8	123	142	197	12.8	-0.13	19.28	323
LB20 124	27	6.03	126	143	194	17.01	-0.14	24.69	331
LB20 144	13	6.4	103	127	185	11.81	0.64	15.66	324
LB20 151	20	5.52	124	143	198	12.93	0.09	22.94	329
LB20 157	58	5.69	90	122	173	13.26	0.77	19.44	288
LB20 171	40	4.97	111	133	181	10.93	-0.42	15.82	309
LB20 178	51	4.99	119	129	189	16.68	0.76	25.17	297
LB20 181	7	5.82	143	143	197	21.41	0.5	34.09	336
LB20 182	31	5.69	114	121	185	11.17	0.7	16.58	322
LB20 249	55	5.12	101	136	173	15.13	0.27	21.74	279
LB20 256	21	5.56	112	134	196	15.33	0.15	27.46	322
LB20 283	14	7.44	103	123	196	13.67	-0.5	18.64	286
LB20 291	18	6.87	105	129	181	17.19	0.22	25.06	325
LB20 335	22	5.88	116	128	187	15.81	0.41	21.10	337
LB20 350	29	4.8	102	118	190	12.33	0.65	17.76	322
LB20 353	30	5.37	124	137	197	17.64	0.16	28.41	320
LB20 356	43	5.27	122	126	186	15.24	0.57	27.78	307
LB20 372	38	4.38	121	140	192	14.26	0.68	22.74	316

Tag No	Lot No	3 yr Velvet	May Weight	9 Mth Weight	13 Mth Weight	12 Mth EBV	EMA EBV	Term sire Index	36 Mth Weight
LB20 376	57		109	123	183	10.09	0.67	18.25	285
LB20 379	48	5.94	111	130	175	12.47	0.86	21.12	307
LB20 382	2	5.08	116	131	203	13.79	-0.06	22.93	353
LB20 384	46	5.39	101	119	185	20.22	0.26	29.10	306
LB20 387	28	5.81	106	125	187	12.3	1.56	21.35	324
LB20 388	47	6.47	111	126	180	19.14	0.36	28.79	305
LB20 390	32	7.56	114	141	203	13.33	0.35	19.34	317
LB20 397	50	5.82	109	127	170	11.84	0.77	19.17	293
LB20 398	1	6.93	118	134	203	21.54	0.29	31.71	353
LB20 401	56	5.69	114	135	180	13.10	1.17	22.50	286
LB20 420	26	5.84	98	130	180	18.01	-0.03	29.82	322
LB20 486	23	7.8	98.5	126	190	12.14	0.05	19.63	333
LB20 492	15	7.52	90	131	185	13.58	0.22	18.67	297
LB20 496	54	5.14	97.5	120	183	14.02	0.32	21.18	302
LB20 497	8	8.22	100	134	192	8.12	0.06	14.35	341
LB20 506	41	7.37	96		181	17.62	-0.09	28.53	305
LB20 510	16	6.83	98.5	127	194	19.41	0.24	33.88	337
LB20 543	42	6.7	102	138	188	24.75	0.72	40.56	314
LB20 564	53	5.9	91.5	116	168	12.96	0.5	19.82	296
LB20 568	33	10.75		143	193	13.43	0.68	19.88	316
LB20 581	60	5.12	87	120	149	9.75	0.22	11.50	267

Percentile Bands for Wapiti Across Herd Comparison					
	WWTebv	W12eBV	EMAcEBV	Carla10eBV	Terminal Index
Top 2%	13.1	22.7	3.1	161	37.50
Top 10%	10.7	18.6	2.25	110	30.58
Top 25%	8.7	15.3	1.6	71	25.13
Top 50%	6.6	11.7	0.88	27	19.08

Clachanburn Sale Bull Summary: By Lot Number

Tag No	Lot No	3 yr Velvet	May Weight	9 Mth Weight	13 Mth Weight	12 Mth EBV	EMA EBV	Term sire index	36 Mth Weight
LB20 398	1	6.93	118	134	203	21.54	0.29	31.71	353
LB20 382	2	5.08	116	131	203	13.79	-0.06	22.93	353
LB20 027	3	7.56	130	144	219	17.25	0.79	26.60	384
LB20 094	4	7.69	114	129	200	15.03	1	21.24	368
LB20 081	5	6.91	120	146	208	16.55	0.96	26.05	350
LB20 031	6	9.67	124	139	201	16.14	0.5	24.85	354
LB20 181	7	5.82	143	143	197	21.41	0.5	34.09	336
LB20 497	8	8.22	100	134	192	8.12	0.06	14.35	341
LB20 034	9	5.2	124	136	202	10.9	0.42	19.44	349
LB20 048	10	7.27	121	139	198	13.9	0.34	21.84	341
LB20 092	11	5.12	110	137	197	16.97	0.26	25.13	343
LB20 042	12	5.98	119	126	189	9.33	0.54	15.05	332
LB20 144	13	6.4	103	127	185	11.81	0.64	15.66	324
LB20 283	14	7.44	103	123	196	13.67	-0.5	18.64	286
LB20 492	15	7.52	90	131	185	13.58	0.22	18.67	297
LB20 510	16	6.83	98.5	127	194	19.41	0.24	33.88	337
LB20 006	17	6.64	113	135	192	14.89	0.11	19.94	329
LB20 291	18	6.87	105	129	181	17.19	0.22	25.06	325
LB20 040	19	7.48	114	122	180	12.2	-0.32	20.42	325
LB20 151	20	5.52	124	143	198	12.93	0.09	22.94	329
LB20 256	21	5.56	112	134	196	15.33	0.15	27.46	322
LB20 335	22	5.88	116	128	187	15.81	0.41	21.10	337
LB20 486	23	7.8	98.5	126	190	12.14	0.05	19.63	333
LB20 020	24	7.08	115	130	197	15.44	1.06	25.21	335
LB20 013	25	6.55	114	124	181	12.94	0.77	23.51	320
LB20 420	26	5.84	98	130	180	18.01	-0.03	29.82	322
LB20 124	27	6.03	126	143	194	17.01	-0.14	24.69	331
LB20 387	28	5.81	106	125	187	12.3	1.56	21.35	324
LB20 350	29	4.8	102	118	190	12.33	0.65	17.76	322
LB20 353	30	5.37	124	137	197	17.64	0.16	28.41	320
LB20 182	31	5.69	114	121	185	11.17	0.7	16.58	322
LB20 390	32	7.56	114	141	203	13.33	0.35	19.34	317
LB20 568	33	10.75		143	193	13.43	0.68	19.88	316
LB20 122	34	8	123	142	197	12.8	-0.13	19.28	323
LB20 083	35	5.33	113	134	185	12.4	-0.19	16.79	316
LB20 106	36	5.75	114	129	200	14.86	0.64	26.04	313
LB20 075	37	4.76	121	132	196	15.21	-0.31	24.60	316
LB20 372	38	4.38	121	140	192	14.26	0.68	22.74	316
LB20 069	39	4.38	126	125	183	16.98	0.42	25.49	314

Tag No	Lot No	3 yr Velvet	May Weight	9 Mth Weight	13 Mth Weight	12 Mth EBV	EMA EBV	Term sire Index	36 Mth Weight
LB20 171	40	4.97	111	133	181	10.93	-0.42	15.82	309
LB20 506	41	7.37	96		181	17.62	-0.09	28.53	305
LB20 543	42	6.7	102	138	188	24.75	0.72	40.56	314
LB20 356	43	5.27	122	126	186	15.24	0.57	27.78	307
LB20 004	44	4.89	140	154	219	21.9	0.36	35.73	296
LB20 059	45	5.22	120	123	194	14.74	0.81	26.68	338
LB20 384	46	5.39	101	119	185	20.22	0.26	29.10	306
LB20 388	47	6.47	111	126	180	19.14	0.36	28.79	305
LB20 379	48	5.94	111	130	175	12.47	0.86	21.12	307
LB20 009	49	5.62	112	124	167	11.07	0.19	17.72	303
LB20 397	50	5.82	109	127	170	11.84	0.77	19.17	293
LB20 178	51	4.99	119	129	189	16.68	0.76	25.17	297
LB20 003	52	6.68	114	121	176	16.16	0.8	26.54	293
LB20 564	53	5.9	91.5	116	168	12.96	0.5	19.82	296
LB20 496	54	5.14	97.5	120	183	14.02	0.32	21.18	302
LB20 249	55	5.12	101	136	173	15.13	0.27	21.74	279
LB20 401	56	5.69	114	135	180	13.10	1.17	22.50	286
LB20 376	57	5.29	109	123	183	10.09	0.67	18.25	285
LB20 157	58	5.69	90	122	173	13.26	0.77	19.44	288
LB20 023	59	5.54	120	126	173	12.87	0.51	22.97	273
LB20 581	60	5.12	87	120	149	9.75	0.22	11.50	267

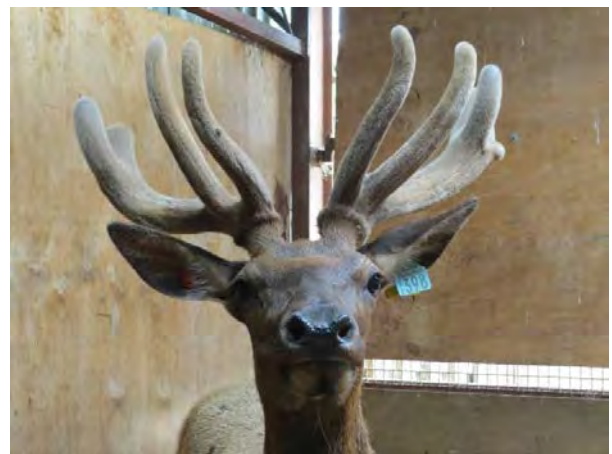
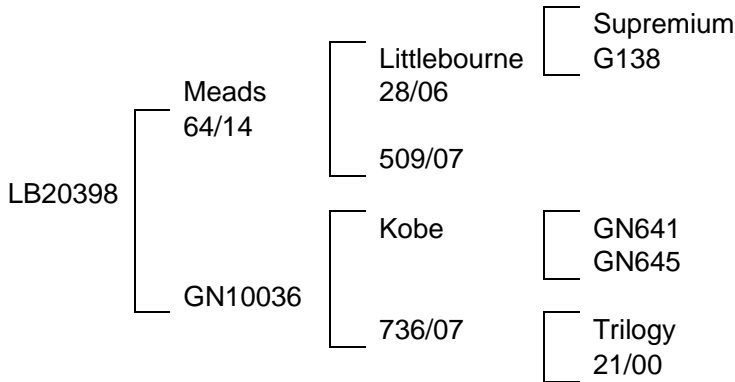
Percentile Bands for Wapiti Across Herd Comparison					
	WWTeBv	W12eBV	EMAcEBV	Carla10eBV	Terminal Index
Top 2%	13.1	22.7	3.1	161	37.50
Top 10%	10.7	18.6	2.25	110	30.58
Top 25%	8.7	15.3	1.6	71	25.13
Top 50%	6.6	11.7	0.88	27	19.08

Lot 1

LB20 398



Left & Above LB20 398 at 3 Years



LB20 398 at 2 Years

Actual Statistics

Body Weight						
March Weight	May Weight	9 Mth Weight	10 Mth Weight	13 Mth Weight	27 Mth Weight	36 Mth Weight
104	118	134	150	203	281	353

EMA
38.87

%EIk
77.3

Carla
3.87
Med

DoB

4/12/20

Growth rates grams per day			
Birth	May	Sept	13 Mth
660	130	566	
Average overall growth rate: 467			

Velvet			
2 Yr		3Yr	
Weight	Beam	Weight	Beam
4.3	17	6.93	18

Estimated Breed Values

Wean Weight	Rank
14.27	1

12 Mth Weight	Rank
21.54	3

EMA	Rank
0.29	36

2Yr Velvet	Rank
1.19	11

Mature Velvet	Rank
1.88	11

Carla	Rank
-36.6	54

Notes

Comments:	Sale Day Weight:
Purchaser:	Price:

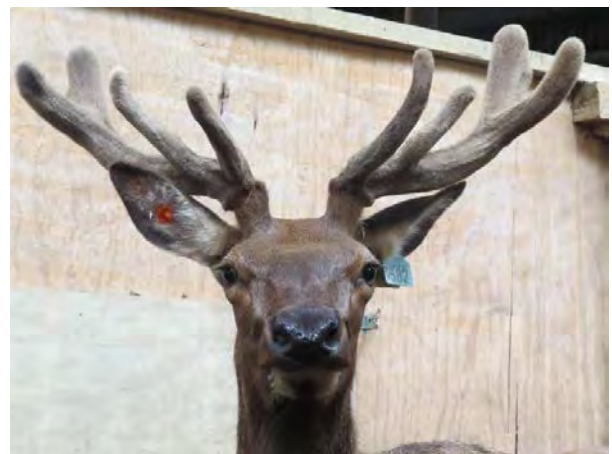
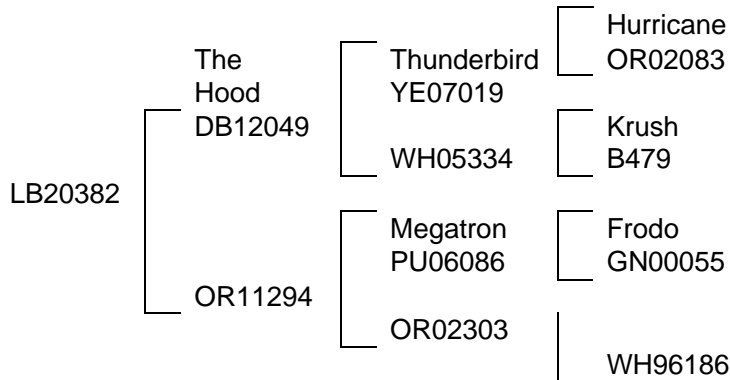
Terminal Sire Index EBV in Dollars	
\$	Rank
31.71	5

Lot 2

LB20 382



Left & Above LB20 382 at 3 Years



LB20 382 at 2 Years

Actual Statistics

Body Weight						
March Weight	May Weight	9 Mth Weight	10 Mth Weight	13 Mth Weight	27 Mth Weight	36 Mth Weight
104	116	131	157	203	289	353

EMA
36.09

%Eik
78.7

Carla
3.63
Med

DoB

5/12/20

Growth rates grams per day				
Birth	May	Sept	13 Mth	
651	122	590		
Average overall growth rate: 469				

Velvet			
2 Yr		3Yr	
Weight	Beam	Weight	Beam
3.35	15	5.08	16

Estimated Breed Values

Wean Weight	Rank
8.69	27

12 Mth Weight	Rank
13.79	33

EMA	Rank
-0.06	52

2Yr Velvet	Rank
0.58	31

Mature Velvet	Rank
0.88	31

Carla	Rank
-4.69	42

Notes

Comments:	Sale Day Weight:
Purchaser:	Price:

Terminal Sire Index EBV in Dollars	
\$	Rank
22.93	29

Lot 3

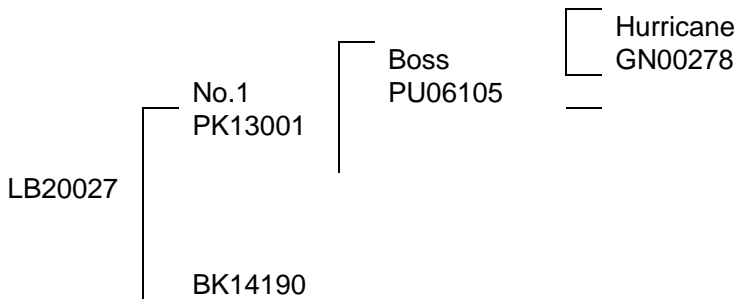
LB20 027



Left & Above LB20 027 at 3 Years



LB20 027 at 2 Years



Actual Statistics

Body Weight						
March Weight	May Weight	9 Mth Weight	10 Mth Weight	13 Mth Weight	27 Mth Weight	36 Mth Weight
104	130	144	163	219	308	384

EMA
40.95

%Eik
77.4

Carla
7.8
High

DoB

28/11/20

Growth rates grams per day			
Birth	May	Sept	13 Mth
715	113	615	
Average overall growth rate: 500			

Velvet			
2 Yr		3Yr	
Weight	Beam	Weight	Beam
4.38	14.5	7.56	17.5

Estimated Breed Values

Wean Weight	Rank
9.29	21

12 Mth Weight	Rank
17.25	11

EMA	Rank
0.79	9

2Yr Velvet	Rank
0.7	49

Mature Velvet	Rank
0.46	49

Carla	Rank
5.91	36

Notes

Comments:	Sale Day Weight:
Purchaser:	Price:

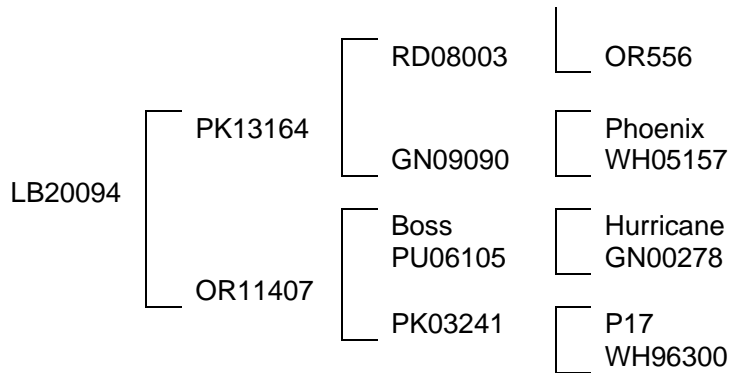
Terminal Sire Index EBV in Dollars	
\$	Rank
26.60	14

Lot 4

LB20 094



Left & Above LB20 094 at 3 Years



LB20 094 at 2 Years

Actual Statistics

Body Weight						
March Weight	May Weight	9 Mth Weight	10 Mth Weight	13 Mth Weight	27 Mth Weight	36 Mth Weight
90	114	129	149	200	319	368

EMA
39.25

%EIk
75.2

Carla
15.75
High

DoB

3/12/20

Growth rates grams per day			
Birth	May	Sept	13 Mth
630	122	582	
Average overall growth rate: 459			

Velvet			
2 Yr		3Yr	
Weight	Beam	Weight	Beam
4.7	15.5	7.69	19

Estimated Breed Values

Wean Weight	Rank
5.73	55

12 Mth Weight	Rank
15.03	26

EMA	Rank
1	4

2Yr Velvet	Rank
0.53	41

Mature Velvet	Rank
0.82	40

Carla	Rank
71.33	13

Notes

Comments:	Sale Day Weight:
Purchaser:	Price:

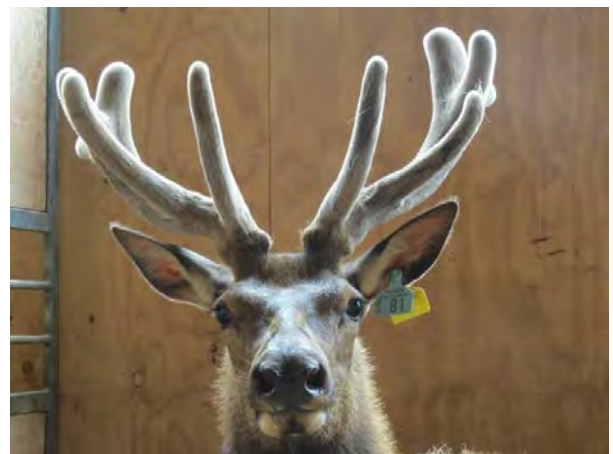
Terminal Sire Index EBV in Dollars	
\$	Rank
21.24	35

Lot 5

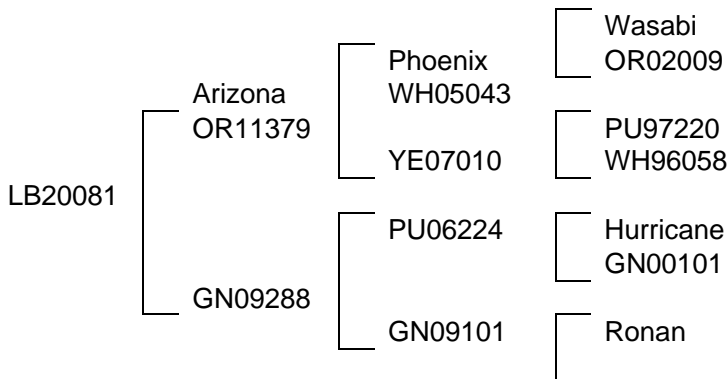
LB20 081



Left & Above LB20 081 at 3 Years



LB20 081 at 2 Years



Actual Statistics

Body Weight						
March Weight	May Weight	9 Mth Weight	10 Mth Weight	13 Mth Weight	27 Mth Weight	36 Mth Weight
97.5	120	146	158	208	283	350

EMA
40.78

%EIk
70.9

Carla
2.3
Low

DoB

1/12/20

Growth rates grams per day			
Birth	May	Sept	13 Mth
660	163	549	
Average overall growth rate: 474			

Velvet			
2 Yr		3Yr	
Weight	Beam	Weight	Beam
5.01	16	6.91	18

Estimated Breed Values

Wean Weight	Rank
7.6	39

12 Mth Weight	Rank
16.55	17

EMA	Rank
0.96	5

2Yr Velvet	Rank
0.75	20

Mature Velvet	Rank
1.15	21

Carla	Rank
-55.4	60

Notes

Comments:	Sale Day Weight:
Purchaser:	Price:

Terminal Sire Index EBV in Dollars	
\$	Rank
26.05	16

Lot 6



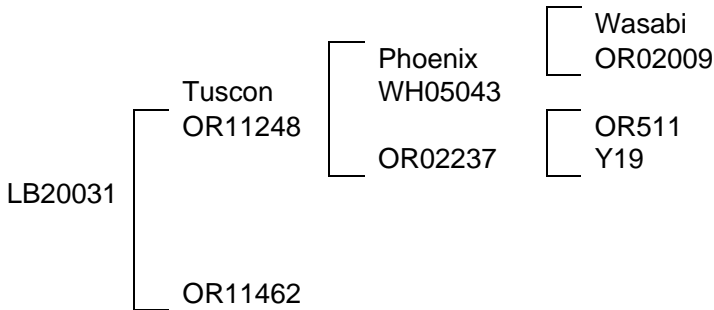
LB20 031



Left & Above LB20 031 at 3 Years



LB20 031 at 2 Years



Actual Statistics

Body Weight						
March Weight	May Weight	9 Mth Weight	10 Mth Weight	13 Mth Weight	27 Mth Weight	36 Mth Weight
102	124	139	156	201	287	354

EMA
33.94

%Elk
68

Carla
5.55
Med

DoB

28/11/20

Growth rates grams per day				
Birth	May	Sept	13 Mth	
677	121	508		
Average overall growth rate: 455				

Velvet			
2 Yr		3Yr	
Weight	Beam	Weight	Beam
3.92	16	9.67	18.5

Estimated Breed Values

Wean Weight	Rank
7.97	35

12 Mth Weight	Rank
16.14	19

EMA	Rank
0.5	25

2Yr Velvet	Rank
0.43	52

Mature Velvet	Rank
0.68	51

Carla	Rank
-36.7	55

Notes

Comments:	Sale Day Weight:
Purchaser:	Price:

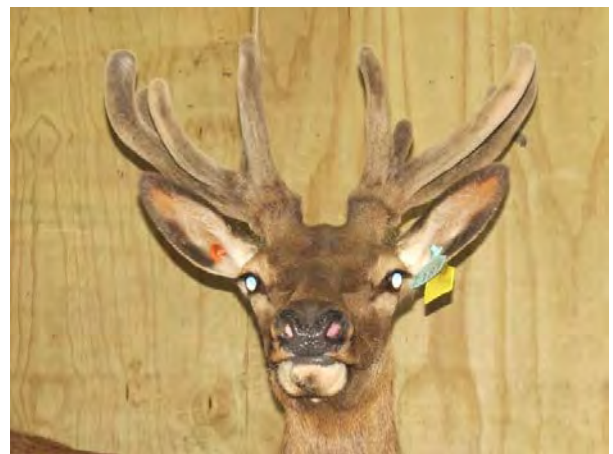
Terminal Sire Index EBV in Dollars	
\$	Rank
24.85	23

Lot 7

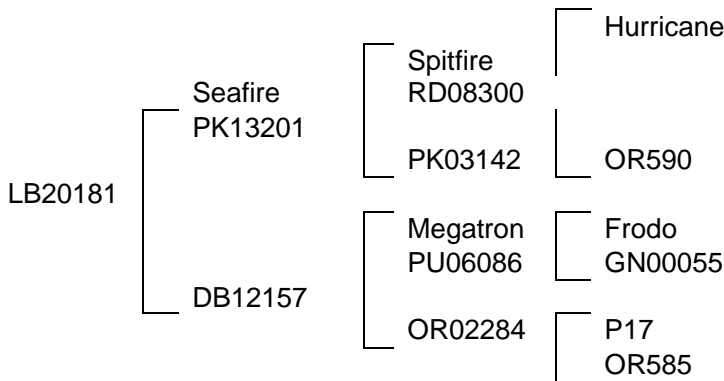
LB20 181



Left & Above LB20 181 at 3 Years



LB20 181 at 2 Years



Actual Statistics

Body Weight						
March Weight	May Weight	9 Mth Weight	10 Mth Weight	13 Mth Weight	27 Mth Weight	36 Mth Weight
120	143	143	153	197	281	336

EMA
35.21

%EIk
68.1

Carla
5.07
Med

DoB

21/11/20

Growth rates grams per day			
Birth	May	Sept	13 Mth
768	0	443	
Average overall growth rate: 438			

Velvet			
2 Yr		3Yr	
Weight	Beam	Weight	Beam
2.95	14.5	5.82	16

Estimated Breed Values

Wean Weight	Rank
11.95	8

12 Mth Weight	Rank
21.41	4

EMA	Rank
0.5	24

2Yr Velvet	Rank
0.45	51

Mature Velvet	Rank
0.68	50

Carla	Rank
-27.9	51

Notes

Comments:	Sale Day Weight:
Purchaser:	Price:

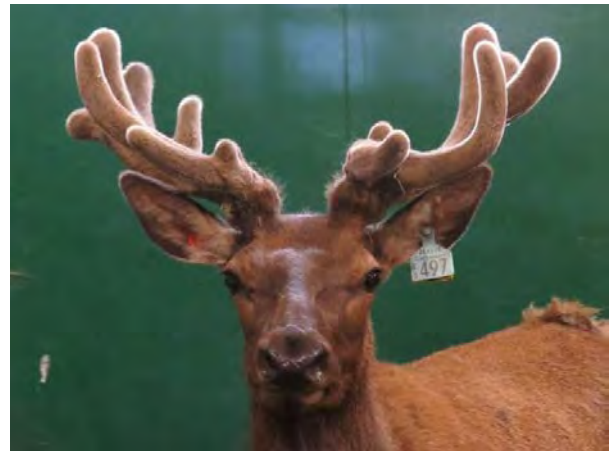
Terminal Sire Index EBV in Dollars	
\$	Rank
34.09	3

Lot 8

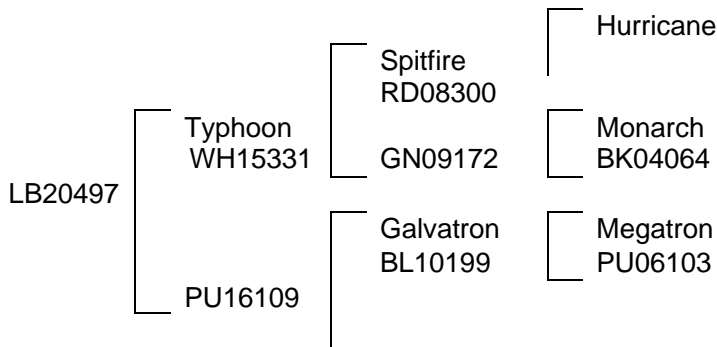
LB20 497



Left & Above LB20 497 at 3 Years



LB20 497 at 2 Years



Actual Statistics

Body Weight						
March Weight	May Weight	9 Mth Weight	10 Mth Weight	13 Mth Weight	27 Mth Weight	36 Mth Weight
90	100	134	145	192	269	341

EMA
32.65

%EIk
78.5

Carla
3.92
Med

DoB

29/11/20

Growth rates grams per day			
Birth	May	Sept	13 Mth
522	279	475	
Average overall growth rate: 434			

Velvet			
2 Yr		3Yr	
Weight	Beam	Weight	Beam
4.47	17.5	8.22	18.5

Estimated Breed Values

Wean Weight	Rank
6.7	46

12 Mth Weight	Rank
8.12	60

EMA	Rank
0.06	49

2Yr Velvet	Rank
0.82	18

Mature Velvet	Rank
1.25	18

Carla	Rank
-1.2	41

Notes

Comments:	Sale Day Weight:
Purchaser:	Price:

Terminal Sire Index EBV in Dollars	
\$	Rank
14.35	59

Lot 9



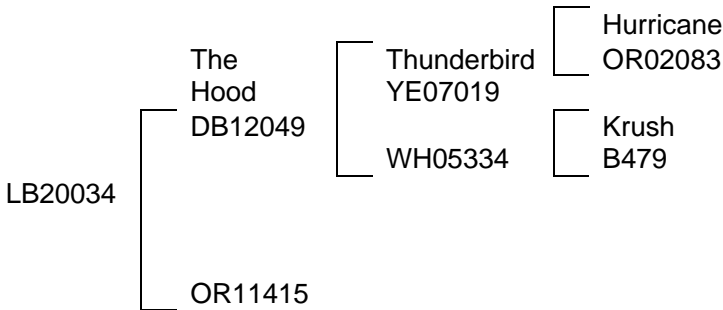
LB20 034



Left & Above LB20 034 at 3 Years



LB20 034 at 2 Years



Actual Statistics

Body Weight						
March Weight	May Weight	9 Mth Weight	10 Mth Weight	13 Mth Weight	27 Mth Weight	36 Mth Weight
102	124	136	157	202	279	349

EMA
36.61

%EIk
73.4

Carla
25.7
High

DoB

3/12/20

Growth rates grams per day				
Birth	May	Sept	13 Mth	
699	97	541		
Average overall growth rate: 464				

Velvet			
2 Yr		3Yr	
Weight	Beam	Weight	Beam
3.37	14.5	5.2	16

Estimated Breed Values

Wean Weight	Rank
7.71	36

12 Mth Weight	Rank
10.9	56

EMA	Rank
0.42	29

2Yr Velvet	Rank
0.54	39

Mature Velvet	Rank
0.83	56

Carla	Rank
121.6	8

Notes

Comments:	Sale Day Weight:
Purchaser:	Price:

Terminal Sire Index EBV in Dollars	
\$	Rank
19.44	44

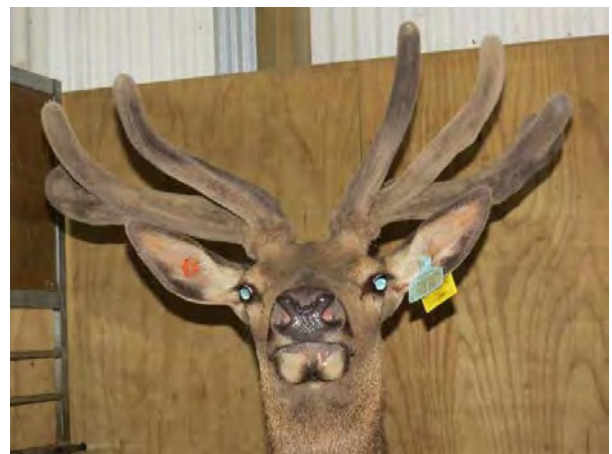
Lot 10



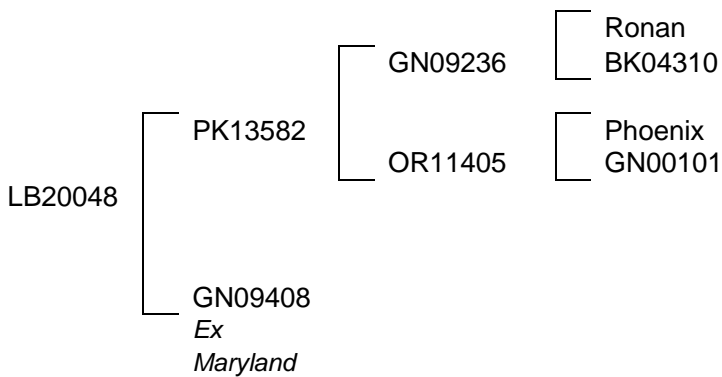
LB20 048



Left & Above LB20 048 at 3 Years



LB20 048 at 2 Years



Actual Statistics

Body Weight						
March Weight	May Weight	9 Mth Weight	10 Mth Weight	13 Mth Weight	27 Mth Weight	36 Mth Weight
102	121	139	155	198	276	341

EMA
38.29

%EIk
70.1

Carla
12.94
High

DoB

3/12/20

Growth rates grams per day			
Birth	May	Sept	13 Mth
680	145	484	
Average overall growth rate: 454			

Velvet			
2 Yr		3Yr	
Weight	Beam	Weight	Beam
3.77	16.5	7.27	17.5

Estimated Breed Values

Wean Weight	Rank
8.88	26

12 Mth Weight	Rank
13.9	32

EMA	Rank
0.34	34

2Yr Velvet	Rank
0.6	30

Mature Velvet	Rank
0.92	29

Carla	Rank
15.85	31

Notes

Comments:	Sale Day Weight:
Purchaser:	Price:

Terminal Sire Index EBV in Dollars	
\$	Rank
21.84	32

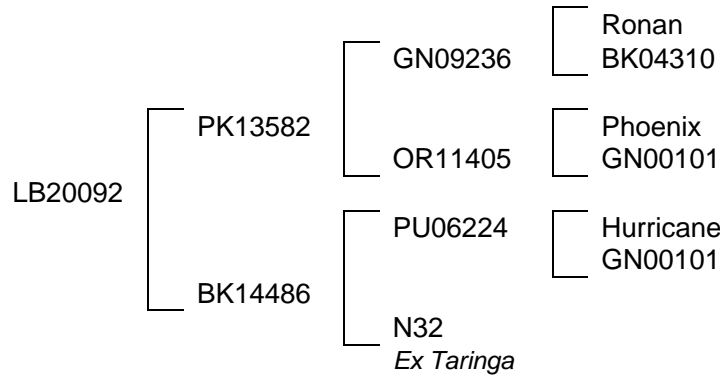
Lot 11



LB20 092



Left & Above LB20 092 at 3 Years



LB20 092 at 2 Years

Actual Statistics

Body Weight						
March Weight	May Weight	9 Mth Weight	10 Mth Weight	13 Mth Weight	27 Mth Weight	36 Mth Weight
101	110	137	153	197	270	343

EMA
37.52

%EIk
70.4

Carla
17.91
High

DoB

3/12/20

Growth rates grams per day			
Birth	May	Sept	13 Mth
608	218	492	
Average overall growth rate: 451			

Velvet			
2 Yr		3Yr	
Weight	Beam	Weight	Beam
3.22	14.5	6	17

Estimated Breed Values

Wean Weight	Rank
12.07	5

12 Mth Weight	Rank
16.97	15

EMA	Rank
0.26	39

2Yr Velvet	Rank
0.65	27

Mature Velvet	Rank
0.99	26

Carla	Rank
10.68	33

Notes

Comments:	Sale Day Weight:
Purchaser:	Price:

Terminal Sire Index EBV in Dollars	
\$	Rank
25.13	21

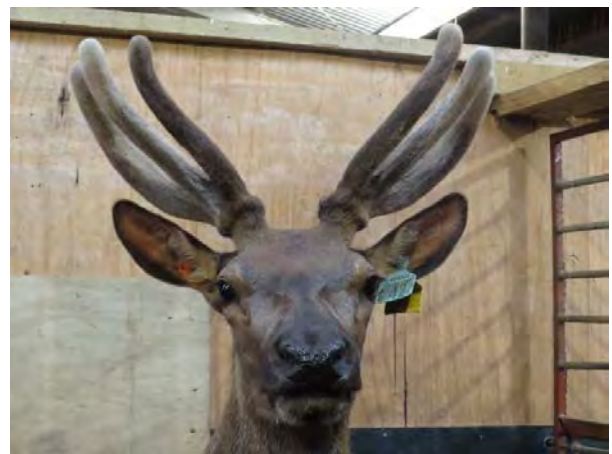
Lot 12



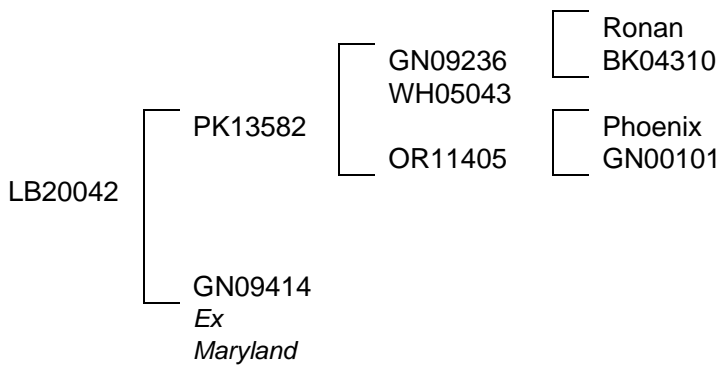
LB20 042



Left & Above LB20 042 at 3 Years



LB20 042 at 2 Years



Actual Statistics

Body Weight						
March Weight	May Weight	9 Mth Weight	10 Mth Weight	13 Mth Weight	27 Mth Weight	36 Mth Weight
98	119	126	144	189	262	332

EMA
38.1

%EIk
69.1

Carla
4.05
Med

DoB

28/11/20

Growth rates grams per day				
Birth	May	Sept	13 Mth	
646	56	516		
Average overall growth rate: 426				

Velvet			
2 Yr		3Yr	
Weight	Beam	Weight	Beam
2.82	14.5	5.98	16

Estimated Breed Values

Wean Weight	Rank
6.53	50

12 Mth Weight	Rank
9.33	59

EMA	Rank
0.54	22

2Yr Velvet	Rank
0.56	33

Mature Velvet	Rank
0.87	34

Carla	Rank
-40.7	56

Notes

Comments:	Sale Day Weight:
Purchaser:	Price:

Terminal Sire Index EBV in Dollars	
\$	Rank
15.05	58

Lot 13



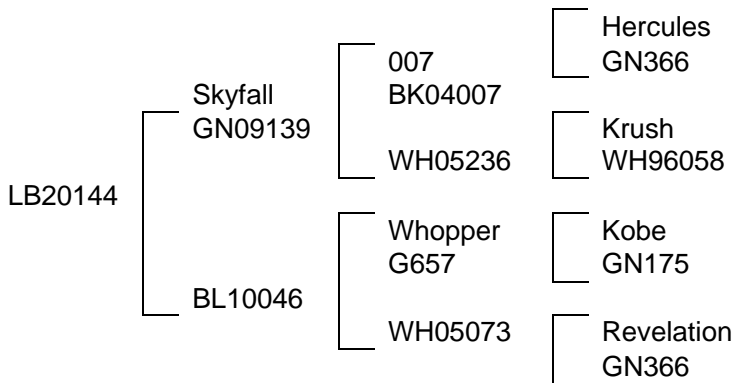
LB20 144



Left & Above LB20 144 at 3 Years



LB20 144 at 2 Years



Actual Statistics

Body Weight						
March Weight	May Weight	9 Mth Weight	10 Mth Weight	13 Mth Weight	27 Mth Weight	36 Mth Weight
82	103	127	140	185	277	339

EMA
32.79

%Eik
78.7

Carla
95.37
High

DoB

25/11/20

Growth rates grams per day			
Birth	May	Sept	13 Mth
534	194	475	
Average overall growth rate: 413			

Velvet			
2 Yr		3Yr	
Weight	Beam	Weight	Beam
4	15	6.4	17

Estimated Breed Values

Wean Weight	Rank
5.62	56

12 Mth Weight	Rank
11.81	52

EMA	Rank
0.64	20

2Yr Velvet	Rank
0.47	47

Mature Velvet	Rank
0.71	48

Carla	Rank
209.1	3

Notes

Comments:	Sale Day Weight:
Purchaser:	Price:

Terminal Sire Index EBV in Dollars	
\$	Rank
15.66	57

Lot 14



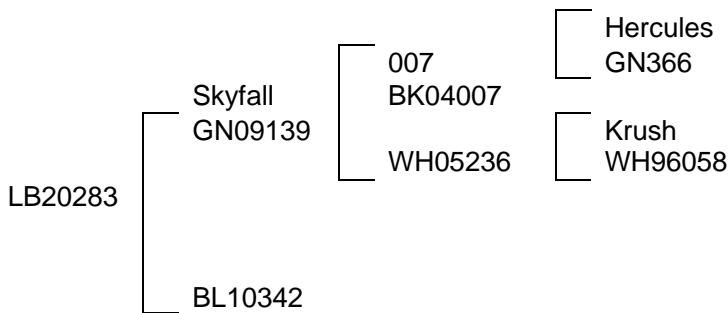
LB20 283



Left & Above LB20 283 at 3 Years



LB20 283 at 2 Years



Actual Statistics

Body Weight						
March Weight	May Weight	9 Mth Weight	10 Mth Weight	13 Mth Weight	27 Mth Weight	36 Mth Weight
89	103	123	144	196	269	325

EMA
27.12

%EIk
76

Carla
14.33
High

DoB

16/12/20

Growth rates grams per day				
Birth	May	Sept	13 Mth	
614	161	598		
Average overall growth rate: 464				

Velvet			
2 Yr		3Yr	
Weight	Beam	Weight	Beam
3.69	14	7.44	15.5

Estimated Breed Values

Wean Weight	Rank
6.65	47

12 Mth Weight	Rank
13.67	34

EMA	Rank
-0.5	60

2Yr Velvet	Rank
0.27	59

Mature Velvet	Rank
0.41	59

Carla	Rank
2.74	38

Notes

Comments:	Sale Day Weight:
Purchaser:	Price:

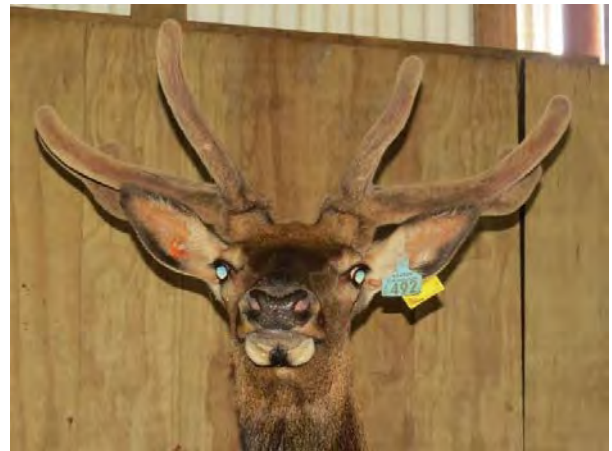
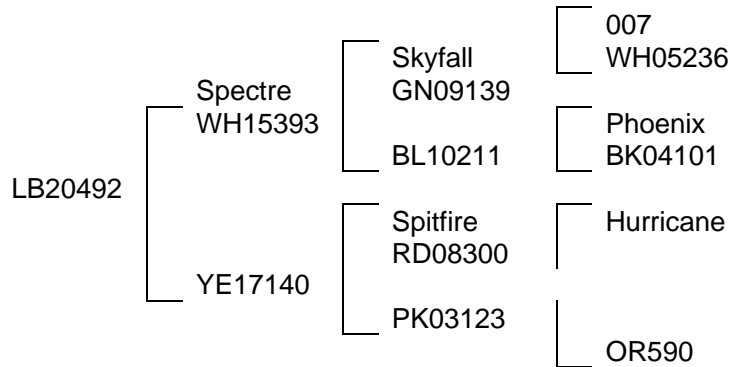
Terminal Sire Index EBV in Dollars	
\$	Rank
18.64	50

Lot 15

LB20 492



Left & Above LB20 492 at 3 Years



LB20 492 at 2 Years

Actual Statistics

Body Weight						
March Weight	May Weight	9 Mth Weight	10 Mth Weight	13 Mth Weight	27 Mth Weight	36 Mth Weight
73.5	90	131	143	185	271	332

EMA
33.52

%EIk
72.1

Carla
11.8
High

DoB*

8/12/20

Growth rates grams per day			
Birth	May	Sept	13 Mth
487	336	443	
Average overall growth rate: 426			

Velvet			
2 Yr		3Yr	
Weight	Beam	Weight	Beam
3.46	15.5	7.52	17

Estimated Breed Values

Wean Weight	Rank
5.84	53

12 Mth Weight	Rank
13.58	35

EMA	Rank
0.22	42

2Yr Velvet	Rank
0.64	28

Mature Velvet	Rank
0.98	27

Carla	Rank
57.98	16

Notes

Comments:	Sale Day Weight:
Purchaser:	Price:

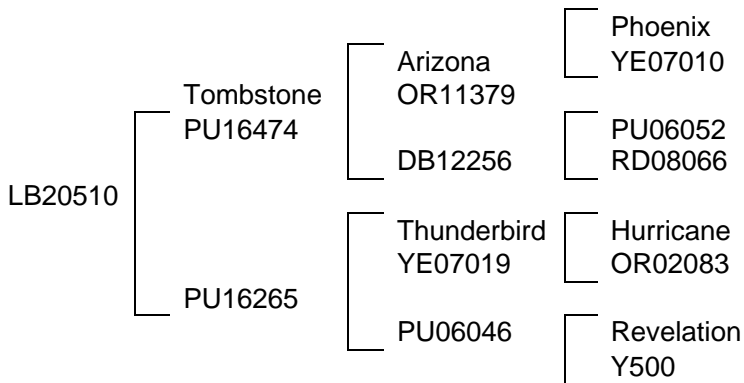
Terminal Sire Index EBV in Dollars	
\$	Rank
18.67	49

Lot 16

LB20 510



Left & Above LB20 510 at 3 Years



LB20 510 at 2 Years

Actual Statistics

Body Weight						
March Weight	May Weight	9 Mth Weight	10 Mth Weight	13 Mth Weight	27 Mth Weight	36 Mth Weight
86.5	98.5	127	145	194	272	337

EMA
34.26

%Elk
76.4

Carla
18.24
High

DoB

13/12/20

Growth rates grams per day			
Birth	May	Sept	13 Mth
562	234	549	
Average overall growth rate: 455			

Velvet			
2 Yr		3Yr	
Weight	Beam	Weight	Beam
4.09	15	6.83	16.5

Estimated Breed Values

Wean Weight	Rank
11.16	11

12 Mth Weight	Rank
19.41	6

EMA	Rank
0.24	40

2Yr Velvet	Rank
0.47	48

Mature Velvet	Rank
0.72	47

Carla	Rank
4.19	37

Notes

Comments:	Sale Day Weight:
Purchaser:	Price:

Terminal Sire Index EBV in Dollars	
\$	Rank
33.88	4

Lot 17



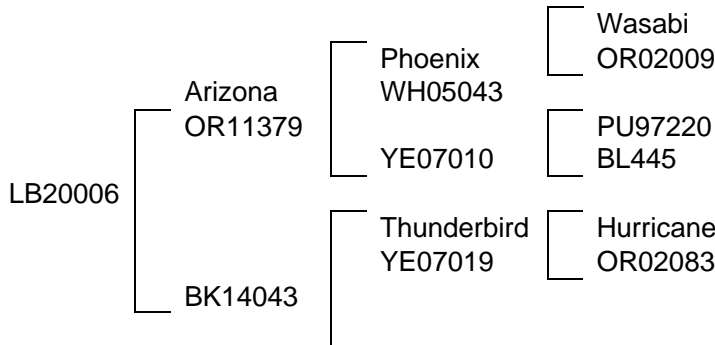
LB20 006



Left & Above LB20 006 at 3 Years



LB20 006 at 2 Years



Actual Statistics

Body Weight						
March Weight	May Weight	9 Mth Weight	10 Mth Weight	13 Mth Weight	27 Mth Weight	36 Mth Weight
98.5	113	135	152	192	271	329

EMA
33.28

%EIk
72.4

Carla
45.01
High

DoB

1/12/20

Growth rates grams per day			
Birth	May	Sept	13 Mth
615	179	467	
Average overall growth rate: 436			

Velvet			
2 Yr		3Yr	
Weight	Beam	Weight	Beam
2.82	15	6.64	17

Estimated Breed Values

Wean Weight	Rank
7.41	40

12 Mth Weight	Rank
14.89	27

EMA	Rank
0.11	47

2Yr Velvet	Rank
0.76	19

Mature Velvet	Rank
1.16	19

Carla	Rank
70.04	15

Notes

Comments:	Sale Day Weight:
Purchaser:	Price:

Terminal Sire Index EBV in Dollars	
\$	Rank
19.74	42

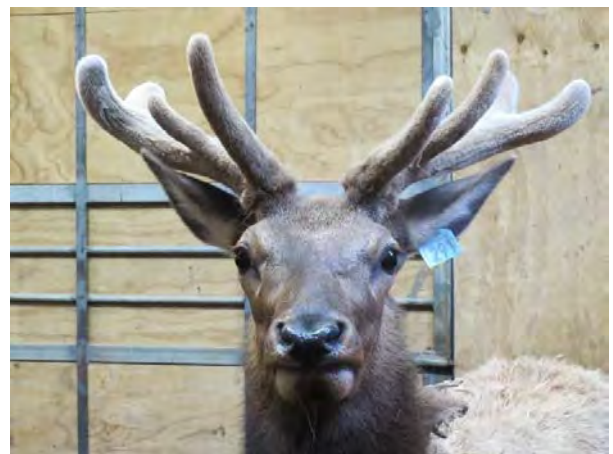
Lot 18



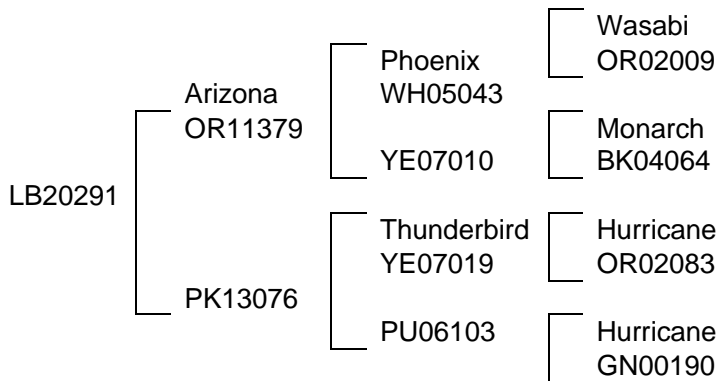
LB20 291



Left & Above LB20 291 at 3 Years



LB20 291 at 2 Years



Actual Statistics

Body Weight						
March Weight	May Weight	9 Mth Weight	10 Mth Weight	13 Mth Weight	27 Mth Weight	36 Mth Weight
84	105	129	145	181	267	325

EMA
33.42

%EIk
68.8

Carla
23.76
High

DoB

20/12/20

Growth rates grams per day				
Birth	May	Sept	13 Mth	
647	194	426		
Average overall growth rate: 429				

Velvet			
2 Yr		3Yr	
Weight	Beam	Weight	Beam
2.97	15	6.87	18

Estimated Breed Values

Wean Weight	Rank
6.56	49

12 Mth Weight	Rank
17.19	12

EMA	Rank
0.22	41

2Yr Velvet	Rank
0.69	22

Mature Velvet	Rank
1.06	22

Carla	Rank
74.34	12

Notes

Comments:	Sale Day Weight:
Purchaser:	Price:

Terminal Sire Index EBV in Dollars	
\$	Rank
25.06	22

Lot 19

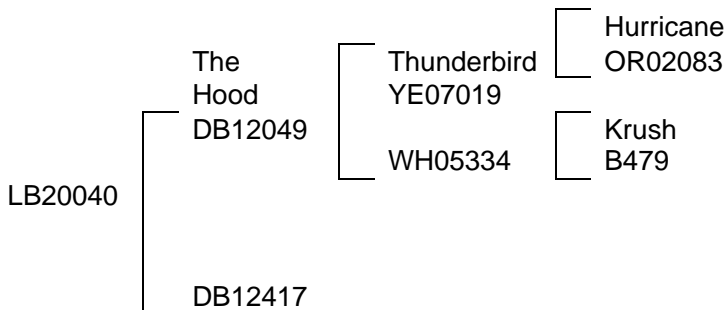
LB20 040



Left & Above LB20 040 at 3 Years



LB20 040 at 2 Years



Actual Statistics

Body Weight						
March Weight	May Weight	9 Mth Weight	10 Mth Weight	13 Mth Weight	27 Mth Weight	36 Mth Weight
93	114	122	136	180	265	325

EMA
30.61

%EIk
77

Carla
14.9
High

DoB

28/11/20

Growth rates grams per day			
Birth	May	Sept	13 Mth
614	65	475	
Average overall growth rate: 403			

Velvet			
2 Yr		3Yr	
Weight	Beam	Weight	Beam
3.67	16	7.48	19

Estimated Breed Values

Wean Weight	Rank
7.3	41

12 Mth Weight	Rank
12.2	49

EMA	Rank
-0.32	58

2Yr Velvet	Rank
0.58	32

Mature Velvet	Rank
0.88	32

Carla	Rank
51.71	19

Notes

Comments:	Sale Day Weight:
Purchaser:	Price:

Terminal Sire Index EBV in Dollars	
\$	Rank
20.42	39

Lot 20



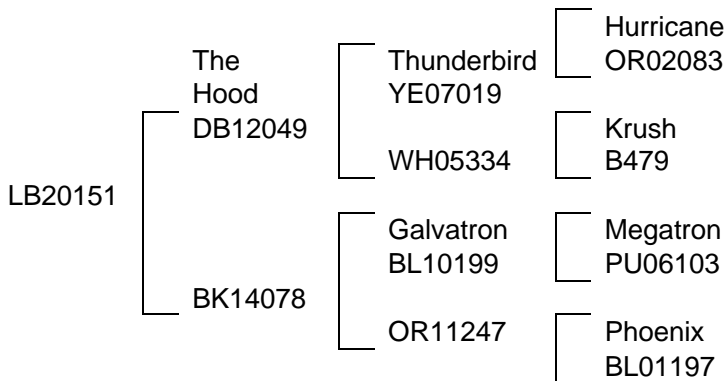
LB20 151



Left & Above LB20 151 at 3 Years



LB20 151 at 2 Years



Actual Statistics

Body Weight						
March Weight	May Weight	9 Mth Weight	10 Mth Weight	13 Mth Weight	27 Mth Weight	36 Mth Weight
104	124	143	158	198	261	329

EMA
37.53

%EIk
73

Carla
39.96
High

DoB

26/11/20

Growth rates grams per day			
Birth	May	Sept	13 Mth
669	153	451	
Average overall growth rate: 446			

Velvet			
2 Yr		3Yr	
Weight	Beam	Weight	Beam
	15	5.52	16

Estimated Breed Values

Wean Weight	Rank
8.57	28

12 Mth Weight	Rank
12.93	42

EMA	Rank
0.09	48

2Yr Velvet	Rank
0.55	38

Mature Velvet	Rank
0.85	36

Carla	Rank
219.8	2

Notes

Comments:	Sale Day Weight:
Purchaser:	Price:

Terminal Sire Index EBV in Dollars	
\$	Rank
22.94	28

Lot 21



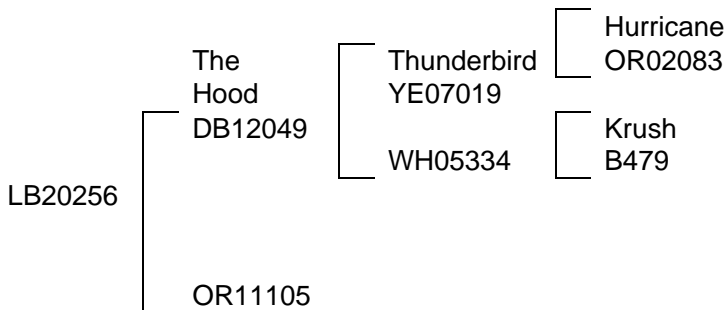
LB20 256



Left & Above LB20 256 at 3 Years



LB20 256 at 2 Years



Actual Statistics

Body Weight						
March Weight	May Weight	9 Mth Weight	10 Mth Weight	13 Mth Weight	27 Mth Weight	36 Mth Weight
101	112	134	142	196	256	322

EMA
35.23

%EIk
66.9

Carla
4.98
Med

DoB

8/12/20

Growth rates grams per day			
Birth	May	Sept	13 Mth
646	176	508	
Average overall growth rate: 454			

Velvet			
2 Yr		3Yr	
Weight	Beam	Weight	Beam
3.56	15	5.56	15

Estimated Breed Values

Wean Weight	Rank
9.53	19

12 Mth Weight	Rank
15.33	22

EMA	Rank
0.15	46

2Yr Velvet	Rank
0.54	40

Mature Velvet	Rank
0.84	37

Carla	Rank
0.34	40

Notes

Comments:	Sale Day Weight:
Purchaser:	Price:

Terminal Sire Index EBV in Dollars	
\$	Rank
27.46	12

Lot 22



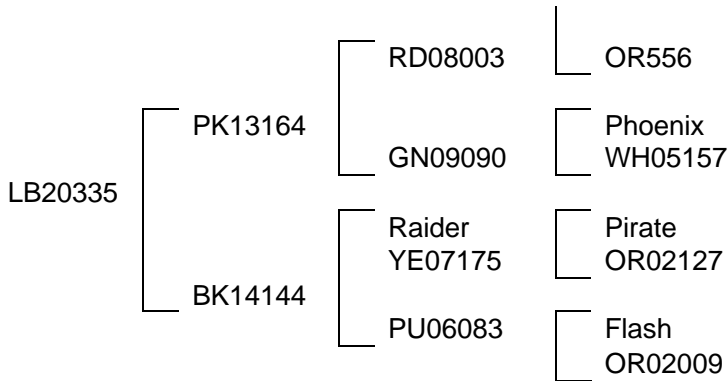
LB20 335



Left & Above LB20 335 at 3 Years



LB20 335 at 2 Years



Actual Statistics

Body Weight						
March Weight	May Weight	9 Mth Weight	10 Mth Weight	13 Mth Weight	27 Mth Weight	36 Mth Weight
97	116	128	146	187	270	337

EMA
34.96

%EIk
75.7

Carla
7.13
High

DoB

7/12/20

Growth rates grams per day				
Birth	May	Sept	13 Mth	
660	98	484		
Average overall growth rate: 430				

Velvet			
2 Yr		3Yr	
Weight	Beam	Weight	Beam
3.62	14.5	5.88	16.5

Estimated Breed Values

Wean Weight	Rank
7.23	43

12 Mth Weight	Rank
15.81	20

EMA	Rank
0.41	30

2Yr Velvet	Rank
0.46	50

Mature Velvet	Rank
0.73	46

Carla	Rank
22.74	25

Notes

Comments:	Sale Day Weight:
Purchaser:	Price:

Terminal Sire Index EBV in Dollars	
\$	Rank
21.10	38

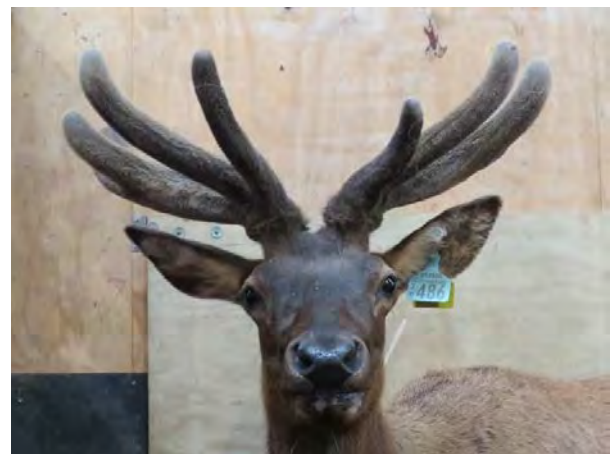
Lot 23



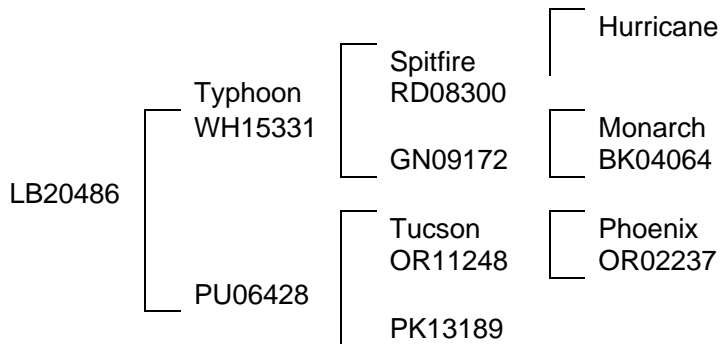
LB20 486



Left & Above LB20 486 at 3 Years



LB20 486 at 2 Years



Actual Statistics

Body Weight						
March Weight	May Weight	9 Mth Weight	10 Mth Weight	13 Mth Weight	27 Mth Weight	36 Mth Weight
85.5	98.5	126	142	190	272	333

EMA
37.86

%Elk
71.5

Carla
9.5
High

DoB

29/11/20

Growth rates grams per day			
Birth	May	Sept	13 Mth
513	225	525	
Average overall growth rate: 429			

Velvet			
2 Yr		3Yr	
Weight	Beam	Weight	Beam
4.49	15.5	7.8	19

Estimated Breed Values

Wean Weight	Rank
7.69	37

12 Mth Weight	Rank
12.14	50

EMA	Rank
0.05	50

2Yr Velvet	Rank
0.97	15

Mature Velvet	Rank
1.5	15

Carla	Rank
24.71	23

Notes

Comments:	Sale Day Weight:
Purchaser:	Price:

Terminal Sire Index EBV in Dollars	
\$	Rank
19.63	43

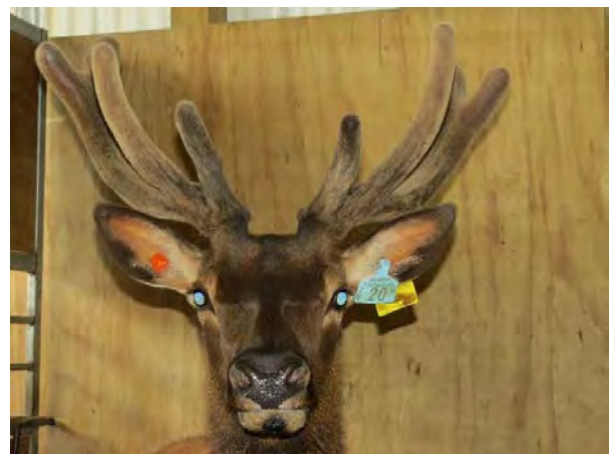
Lot 24



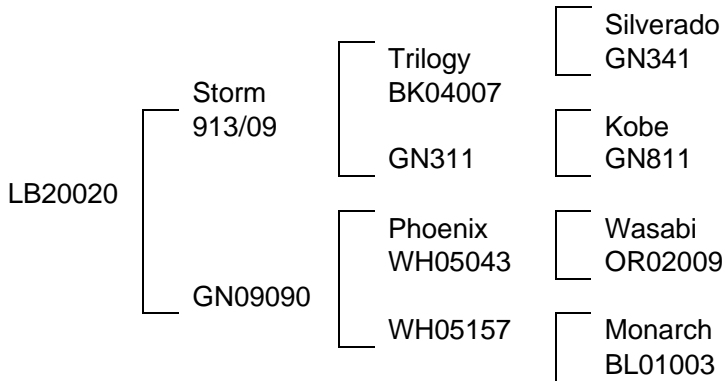
LB20 020



Left & Above LB20 020 at 3 Years



LB20 020 at 2 Years



Actual Statistics

Body Weight						
March Weight	May Weight	9 Mth Weight	10 Mth Weight	13 Mth Weight	27 Mth Weight	36 Mth Weight
94.5	115	130	145	197	275	335

EMA
34.21

%Eik
83.8

Carla
94.7
High

DoB

8/12/20

Growth rates grams per day				
Birth	May	Sept	13 Mth	
658	122	549		
Average overall growth rate: 457				

Velvet			
2 Yr		3Yr	
Weight	Beam	Weight	Beam
4.21	16	7.08	18

Estimated Breed Values

Wean Weight	Rank
10.25	15

12 Mth Weight	Rank
15.44	21

EMA	Rank
1.06	3

2Yr Velvet	Rank
1.42	4

Mature Velvet	Rank
2.31	4

Carla	Rank
149.8	4

Notes

Comments:	Sale Day Weight:
Purchaser:	Price:

Terminal Sire Index EBV in Dollars	
\$	Rank
25.21	19

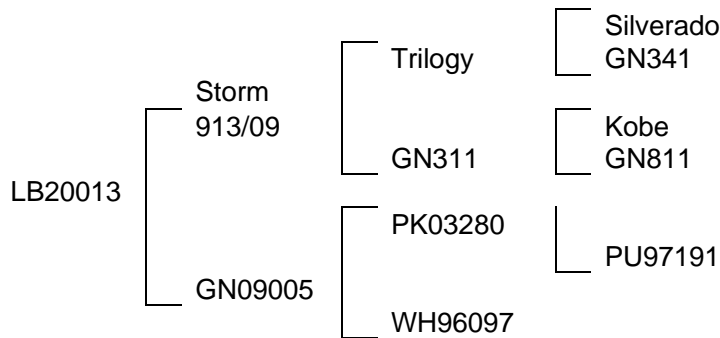
Lot 25



LB20 013



Left & Above LB20 013 at 3 Years



LB20 013 at 2 Years

Actual Statistics

Body Weight						
March Weight	May Weight	9 Mth Weight	10 Mth Weight	13 Mth Weight	27 Mth Weight	36 Mth Weight
93.5	114	124	137	181	255	320

EMA
36.41

%EIk
81.9

Carla
3.2
Med

DoB

7/12/20

Growth rates grams per day			
Birth	May	Sept	13 Mth
647	81	467	
Average overall growth rate: 415			

Velvet			
2 Yr		3Yr	
Weight	Beam	Weight	Beam
3.81	15.5	6.55	17.5

Estimated Breed Values

Wean Weight	Rank
9.12	23

12 Mth Weight	Rank
12.94	41

EMA	Rank
0.77	11

2Yr Velvet	Rank
1.06	13

Mature Velvet	Rank
1.73	12

Carla	Rank
-44.6	58

Notes

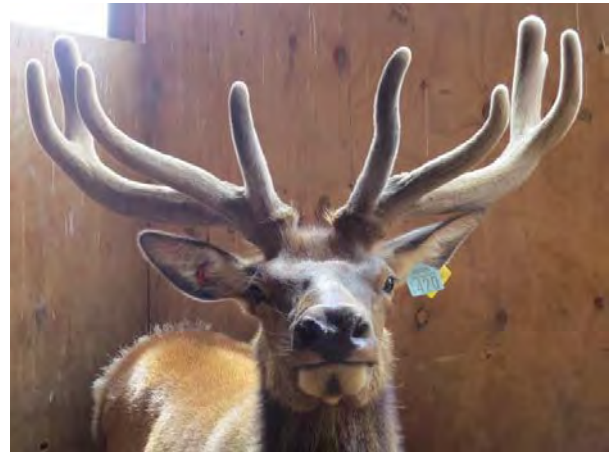
Comments:	Sale Day Weight:
Purchaser:	Price:

Terminal Sire Index EBV in Dollars	
\$	Rank
23.51	26

Lot 26



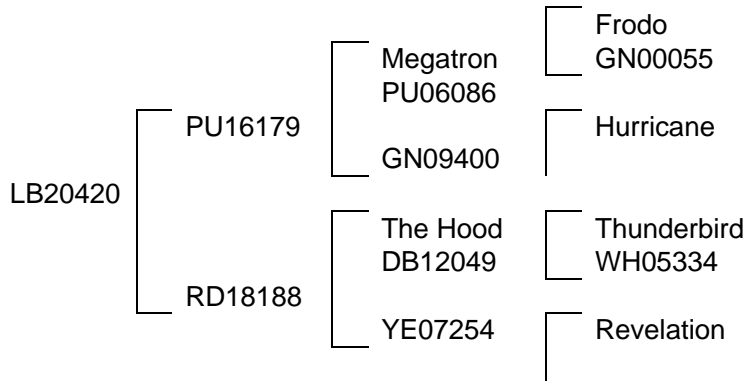
LB20 420



Left & Above LB20 420 at 3 Years



LB20 420 at 2 Years



Actual Statistics

Body Weight						
March Weight	May Weight	9 Mth Weight	10 Mth Weight	13 Mth Weight	27 Mth Weight	36 Mth Weight
92.5	98	130	145	180	266	322

EMA
35.55

DoB

%Elk
80.8

9/12/20

Carla
32.8
High

Growth rates grams per day				
Birth	May	Sept	13 Mth	
544	262	410		
Average overall growth rate: 415				

Velvet			
2 Yr		3Yr	
Weight	Beam	Weight	Beam
3.86	17.5	5.84	17.5

Estimated Breed Values

Wean Weight	Rank
12.06	6

12 Mth Weight	Rank
18.01	8

EMA	Rank
-0.03	51

2Yr Velvet	Rank
0.41	55

Mature Velvet	Rank
0.61	54

Carla	Rank
133.9	5

Notes

Comments:	Sale Day Weight:
Purchaser:	Price:

Terminal Sire Index EBV in Dollars	
\$	Rank
29.82	6

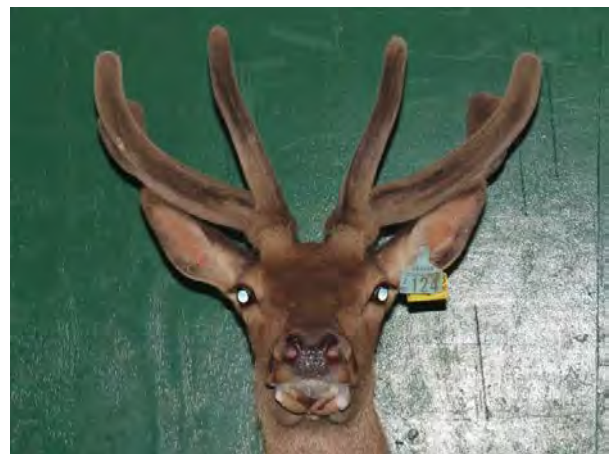
Lot 27



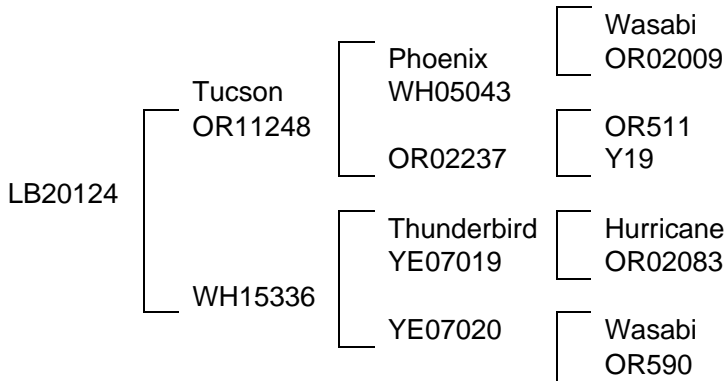
LB20 124



Left & Above LB20 124 at 3 Years



LB20 124 at 2 Years



Actual Statistics

Body Weight						
March Weight	May Weight	9 Mth Weight	10 Mth Weight	13 Mth Weight	27 Mth Weight	36 Mth Weight
107	126	143	153	194	263	331

EMA
34.12

%EIk
67.2

Carla
3.17
Med

DoB

1/12/20

Growth rates grams per day				
Birth	May	Sept	13 Mth	
699	138	418		
Average overall growth rate: 441				

Velvet			
2 Yr		3Yr	
Weight	Beam	Weight	Beam
3.08	16.5	6.03	18

Estimated Breed Values

Wean Weight	Rank
9.49	20

12 Mth Weight	Rank
17.01	13

EMA	Rank
-0.14	55

2Yr Velvet	Rank
0.48	46

Mature Velvet	Rank
0.75	45

Carla	Rank
-24.7	50

Notes

Comments:	Sale Day Weight:
Purchaser:	Price:

Terminal Sire Index EBV in Dollars	
\$	Rank
24.69	24

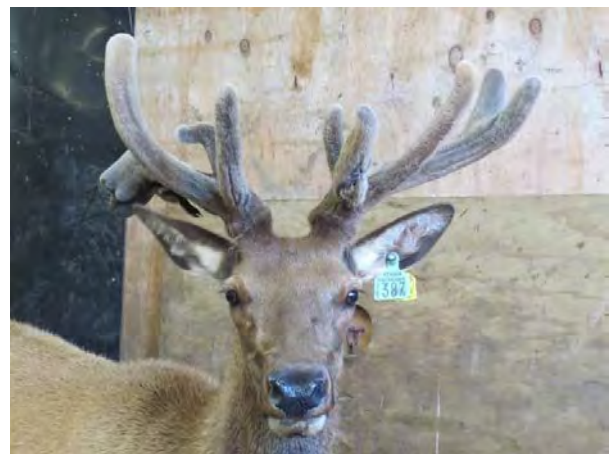
Lot 28



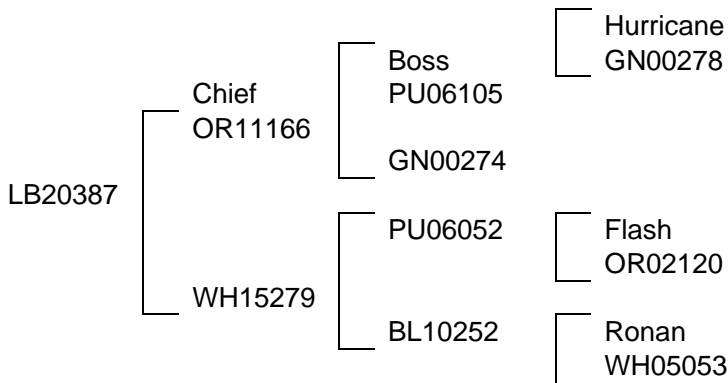
LB20 387



Left & Above LB20 387 at 3 Years



LB20 387 at 2 Years



Actual Statistics

Body Weight						
March Weight	May Weight	9 Mth Weight	10 Mth Weight	13 Mth Weight	27 Mth Weight	36 Mth Weight
91	106	125	141	187	264	324

EMA
34.88

%EIk
78.5

Carla
17.9
High

DoB

13/12/20

Growth rates grams per day				
Birth	May	Sept	13 Mth	
618	154	508		
Average overall growth rate: 437				

Velvet			
2 Yr		3Yr	
Weight	Beam	Weight	Beam
4.4	15.5	5.81	17

Estimated Breed Values

Wean Weight	Rank
8.05	64

12 Mth Weight	Rank
12.3	48

EMA	Rank
1.56	1

2Yr Velvet	Rank
0.52	43

Mature Velvet	Rank
0.79	42

Carla	Rank
13.97	32

Notes

Comments:	Sale Day Weight:
Purchaser:	Price:

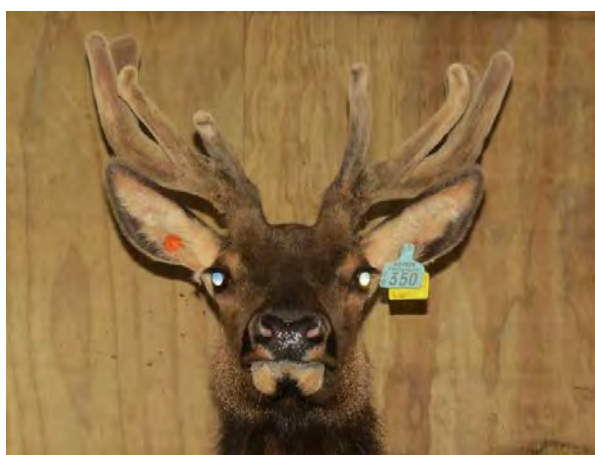
Terminal Sire Index EBV in Dollars	
\$	Rank
21.35	34

Lot 29

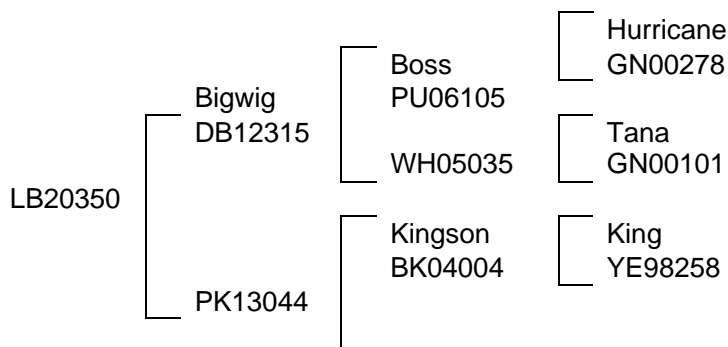
LB20 350



Left & Above LB20 350 at 3 Years



LB20 350 at 2 Years



Actual Statistics

Body Weight						
March Weight	May Weight	9 Mth Weight	10 Mth Weight	13 Mth Weight	27 Mth Weight	36 Mth Weight
84	102	118	141	190	237	322

EMA
34.66

%Elk
82.1

Carla
5.59
High

DoB

13/12/20

Growth rates grams per day			
Birth	May	Sept	13 Mth
590	130	590	
Average overall growth rate: 445			

Velvet			
2 Yr		3Yr	
Weight	Beam	Weight	Beam
2.34	15	4.8	16.5

Estimated Breed Values

Wean Weight	Rank
5.24	59

12 Mth Weight	Rank
12.33	47

EMA	Rank
0.65	18

2Yr Velvet	Rank
0.39	56

Mature Velvet	Rank
0.6	55

Carla	Rank
-33.9	53

Notes

Comments:	Sale Day Weight:
Purchaser:	Price:

Terminal Sire Index EBV in Dollars	
\$	Rank
17.76	52

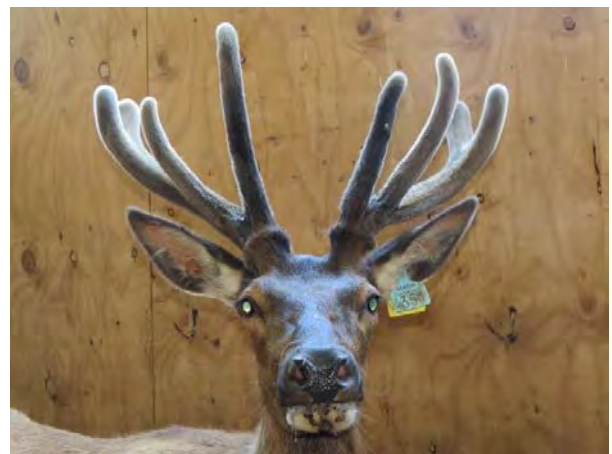
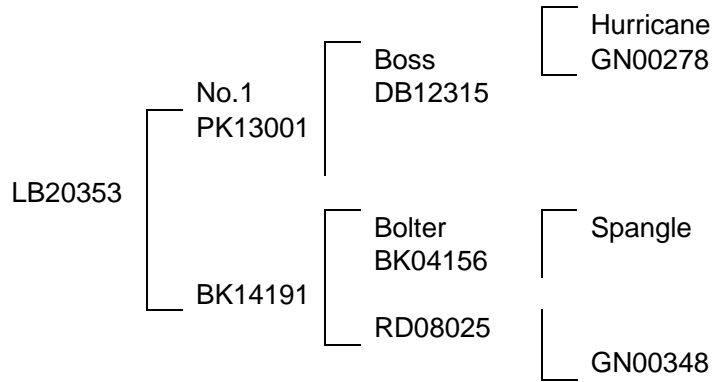
Lot 30



LB20 353



Left & Above LB20 353 at 3 Years



LB20 353 at 2 Years

Actual Statistics

Body Weight						
March Weight	May Weight	9 Mth Weight	10 Mth Weight	13 Mth Weight	27 Mth Weight	36 Mth Weight
110	124	137	153	197	273	320

EMA
20.12

%EIk
70.1

Carla
20.16
High

DoB

3/12/20

Growth rates grams per day				
Birth	May	Sept	13 Mth	
695	106	492		
Average overall growth rate: 451				

Velvet			
2 Yr		3Yr	
Weight	Beam	Weight	Beam
3.37	14	5.37	15.5

Estimated Breed Values

Wean Weight	Rank
11.44	10

12 Mth Weight	Rank
17.64	9

EMA	Rank
0.16	45

2Yr Velvet	Rank
0.55	37

Mature Velvet	Rank
0.82	39

Carla	Rank
129.4	6

Notes

Comments:	Sale Day Weight:
Purchaser:	Price:

Terminal Sire Index EBV in Dollars	
\$	Rank
28.41	10

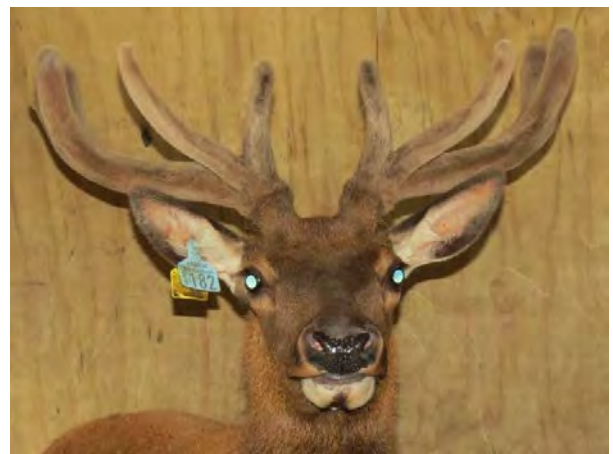
Lot 31



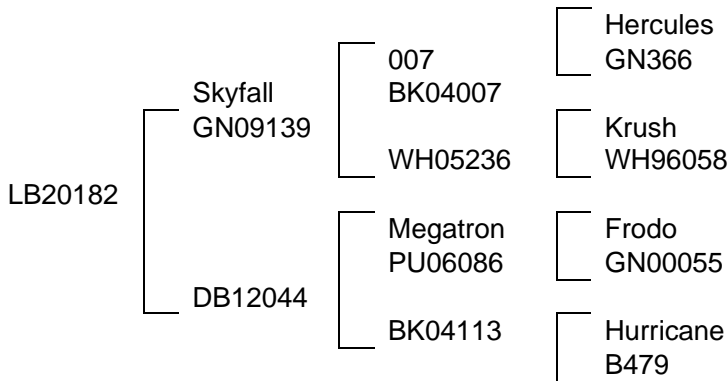
LB20 182



Left & Above LB20 182 at 3 Years



LB20 182 at 2 Years



Actual Statistics

Body Weight						
March Weight	May Weight	9 Mth Weight	10 Mth Weight	13 Mth Weight	27 Mth Weight	36 Mth Weight
97	114	121	136	185	262	322

EMA
32.29

%EIk
78

Carla
14.99
High

DoB

26/11/20

Growth rates grams per day			
Birth	May	Sept	13 Mth
610	56	525	
Average overall growth rate: 414			

Velvet			
2 Yr		3Yr	
Weight	Beam	Weight	Beam
3.12	14.5	5.69	16

Estimated Breed Values

Wean Weight	Rank
5.46	58

12 Mth Weight	Rank
11.17	53

EMA	Rank
0.7	15

2Yr Velvet	Rank
0.27	58

Mature Velvet	Rank
0.41	58

Carla	Rank
103.1	10

Notes

Comments:	Sale Day Weight:
Purchaser:	Price:

Terminal Sire Index EBV in Dollars	
\$	Rank
16.58	55

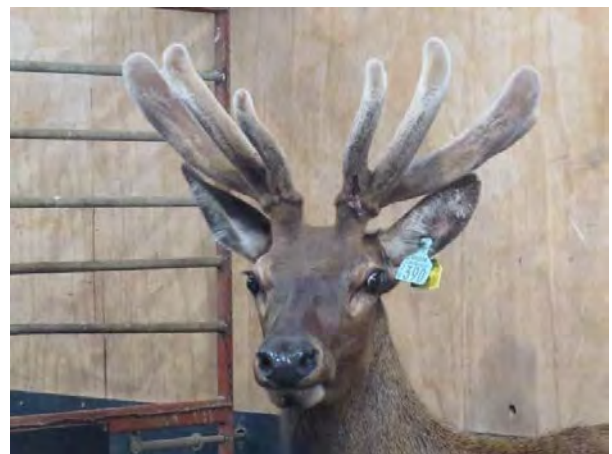
Lot 32



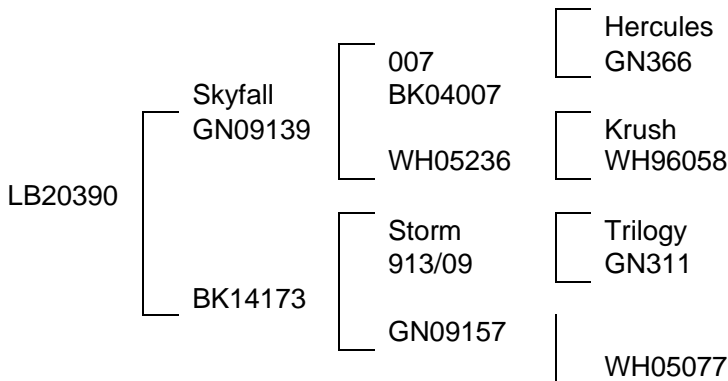
LB20 390



Left & Above LB20 390 at 3 Years



LB20 390 at 2 Years



Actual Statistics

Body Weight						
March Weight	May Weight	9 Mth Weight	10 Mth Weight	13 Mth Weight	27 Mth Weight	36 Mth Weight
101	114	141	154	203	217	317

EMA
32.94

%Eik
84.2

Carla
23.58
High

DoB

6/12/20

Growth rates grams per day				
Birth	May	Sept	13 Mth	
642	220	508		
Average overall growth rate: 470				

Velvet			
2 Yr		3Yr	
Weight	Beam	Weight	Beam
3.33	15.5	7.56	19

Estimated Breed Values

Wean Weight	Rank
7.05	44

12 Mth Weight	Rank
13.33	37

EMA	Rank
0.35	33

2Yr Velvet	Rank
0.72	21

Mature Velvet	Rank
1.16	20

Carla	Rank
126.2	7

Notes

Comments:	Sale Day Weight:
Purchaser:	Price:

Terminal Sire Index EBV in Dollars	
\$	Rank
19.34	46

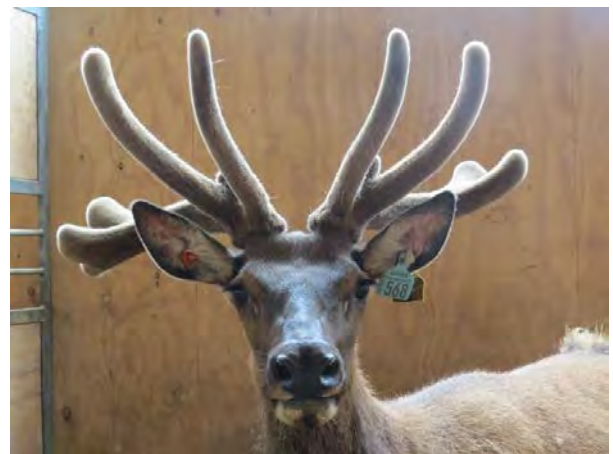
Lot 33



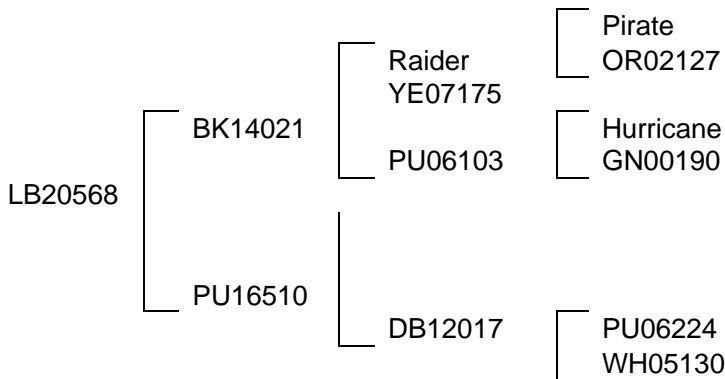
LB20 568



Left & Above LB20 568 at 3 Years



LB20 568 at 2 Years



Actual Statistics

Body Weight						
March Weight	May Weight	9 Mth Weight	10 Mth Weight	13 Mth Weight	27 Mth Weight	36 Mth Weight
87.5		143	158	193	267	316

EMA
42.53

%EIk
74.5

Carla
7.96
High

DoB

2/12/20

Growth rates grams per day			
Birth	May	Sept	13 Mth
			410
Average overall growth rate: 440			

Velvet			
2 Yr		3Yr	
Weight	Beam	Weight	Beam
4.77	16.5	10.75	20

Estimated Breed Values

Wean Weight	Rank
8.57	29

12 Mth Weight	Rank
13.43	36

EMA	Rank
0.68	17

2Yr Velvet	Rank
0.18	60

Mature Velvet	Rank
0.28	60

Carla	Rank
19.16	27

Notes

Comments:	Sale Day Weight:
Purchaser:	Price:

Terminal Sire Index EBV in Dollars	
\$	Rank
19.88	40

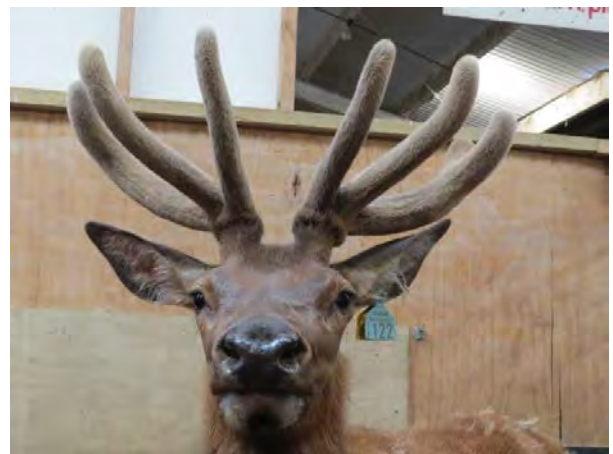
Lot 34



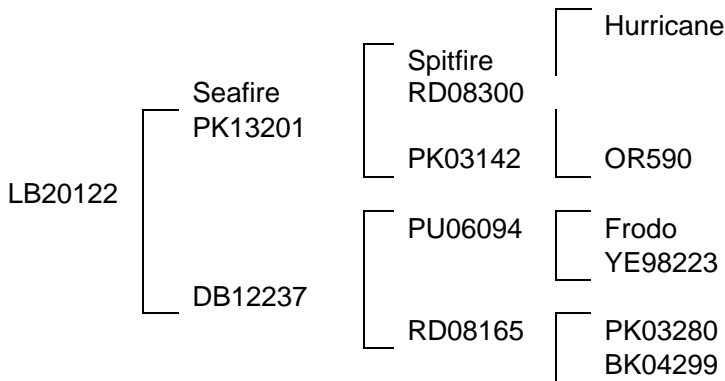
LB20 122



Left & Above LB20 122 at 3 Years



LB20 122 at 2 Years



Actual Statistics

Body Weight						
March Weight	May Weight	9 Mth Weight	10 Mth Weight	13 Mth Weight	27 Mth Weight	36 Mth Weight
103	123	142	152	197	263	323

EMA
31.58

%EIk
75.2

Carla
13.34
High

DoB

30/11/20

Growth rates grams per day			
Birth	May	Sept	13 Mth
675	154	451	
Average overall growth rate: 448			

Velvet			
2 Yr		3Yr	
Weight	Beam	Weight	Beam
3.33	14.5	8	17.5

Estimated Breed Values

Wean Weight	Rank
8.34	31

12 Mth Weight	Rank
12.8	44

EMA	Rank
-0.13	54

2Yr Velvet	Rank
0.56	34

Mature Velvet	Rank
0.88	33

Carla	Rank
-8.02	44

Notes

Comments:	Sale Day Weight:
Purchaser:	Price:

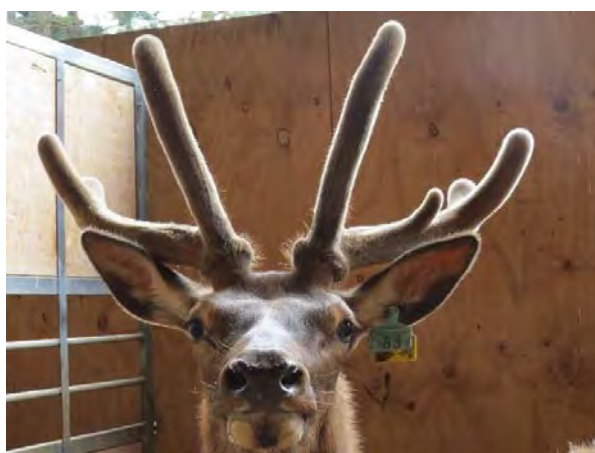
Terminal Sire Index EBV in Dollars	
\$	Rank
19.28	47

Lot 35

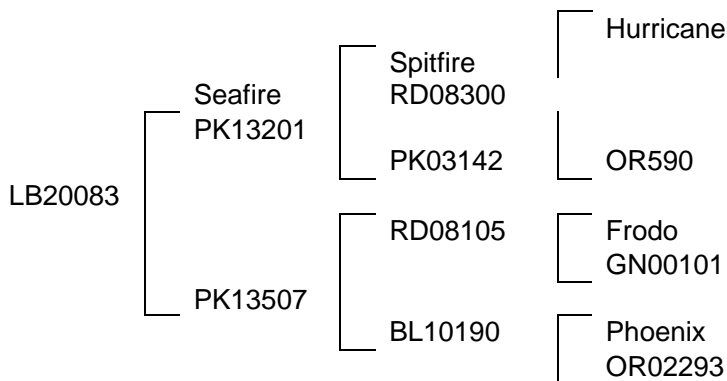
LB20 083



Left & Above LB20 083 at 3 Years



LB20 083 at 2 Years



Actual Statistics

Body Weight						
March Weight	May Weight	9 Mth Weight	10 Mth Weight	13 Mth Weight	27 Mth Weight	36 Mth Weight
92.5	113	134	145	185	259	316

EMA
31.01

%Elk
71

Carla
14.31
High

DoB

1/12/20

Growth rates grams per day			
Birth	May	Sept	13 Mth
615	171	418	
Average overall growth rate: 419			

Velvet			
2 Yr		3Yr	
Weight	Beam	Weight	Beam
3.03	15	5.33	16

Estimated Breed Values

Wean Weight	Rank
6.56	48

12 Mth Weight	Rank
12.4	46

EMA	Rank
-0.19	56

2Yr Velvet	Rank
0.67	25

Mature Velvet	Rank
1.05	23

Carla	Rank
19.39	26

Notes

Comments:	Sale Day Weight:
Purchaser:	Price:

Terminal Sire Index EBV in Dollars	
\$	Rank
16.79	54

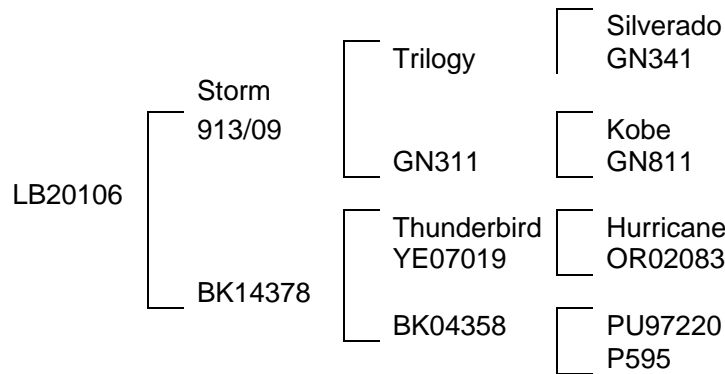
Lot 36



LB20 106



Left & Above LB20 106 at 3 Years



LB20 106 at 2 Years

Actual Statistics

Body Weight						
March Weight	May Weight	9 Mth Weight	10 Mth Weight	13 Mth Weight	27 Mth Weight	36 Mth Weight
98.5	114	129	149	200	319	313

EMA
39.25

%EIk
83.9

Carla
48.9
High

DoB

3/12/20

Growth rates grams per day			
Birth	May	Sept	13 Mth
669	106	525	
Average overall growth rate: 451			

Velvet			
2 Yr		3Yr	
Weight	Beam	Weight	Beam
3.62	14.5	5.75	16

Estimated Breed Values

Wean Weight	Rank
10.45	13

12 Mth Weight	Rank
14.86	28

EMA	Rank
0.64	19

2Yr Velvet	Rank
1.24	8

Mature Velvet	Rank
2	8

Carla	Rank
112.8	9

Notes

Comments:	Sale Day Weight:
Purchaser:	Price:

Terminal Sire Index EBV in Dollars	
\$	Rank
26.04	17

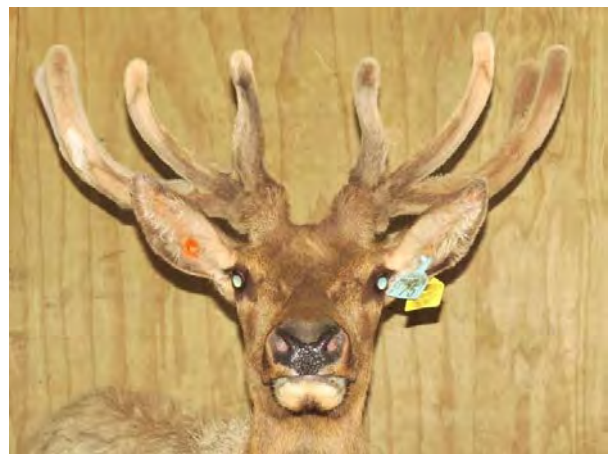
Lot 37



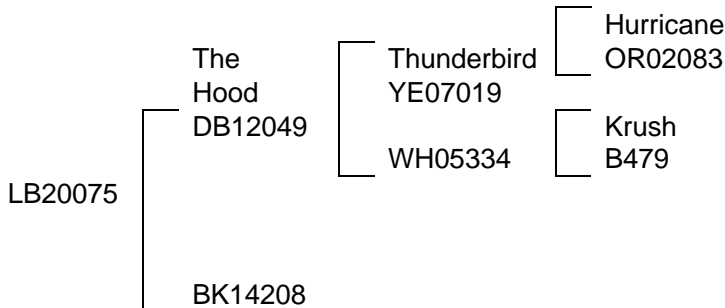
LB20 075



Left & Above LB20 075 at 3 Years



LB20 075 at 2 Years



Actual Statistics

Body Weight						
March Weight	May Weight	9 Mth Weight	10 Mth Weight	13 Mth Weight	27 Mth Weight	36 Mth Weight
95	121	132	150	196	269	316

EMA
32.66

%Eik
81.6

Carla
3.67
Med

DoB

13/12/20

Growth rates grams per day				
Birth	May	Sept	13 Mth	
727	89	525		
Average overall growth rate: 460				

Velvet			
2 Yr		3Yr	
Weight	Beam	Weight	Beam
3.05	14	4.76	15

Estimated Breed Values

Wean Weight	Rank
9.15	22

12 Mth Weight	Rank
15.21	24

EMA	Rank
-0.31	57

2Yr Velvet	Rank
0.56	35

Mature Velvet	Rank
0.87	35

Carla	Rank
-7.15	43

Notes

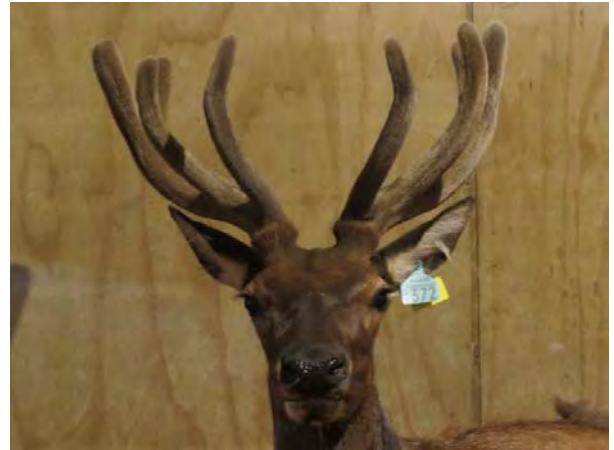
Comments:	Sale Day Weight:
Purchaser:	Price:

Terminal Sire Index EBV in Dollars	
\$	Rank
24.60	25

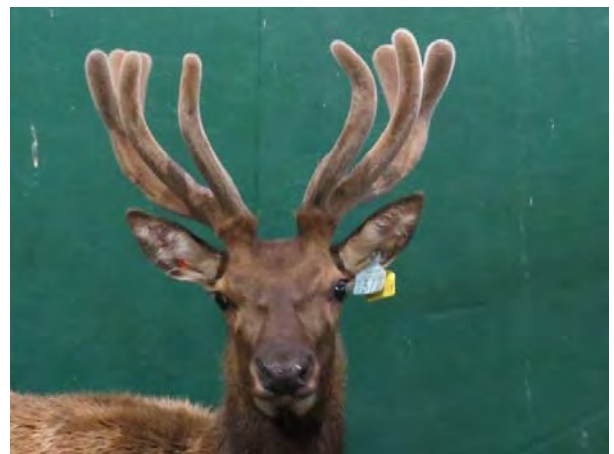
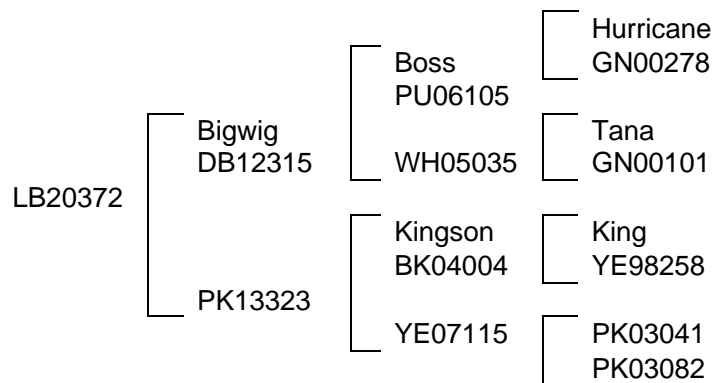
Lot 38



LB20 372



Left & Above LB20 372 at 3 Years



LB20 372 at 2 Years

Actual Statistics

Body Weight						
March Weight	May Weight	9 Mth Weight	10 Mth Weight	13 Mth Weight	27 Mth Weight	36 Mth Weight
105	121	140	152	192	253	311

EMA
42.16

%Eik
75.1

Carla
4.75
Med

DoB

28/11/20

Growth rates grams per day				
Birth	May	Sept	13 Mth	
654	154	426		
Average overall growth rate: 433				

Velvet			
2 Yr		3Yr	
Weight	Beam	Weight	Beam
3.41	15.5	4.38	18

Estimated Breed Values

Wean Weight	Rank
5.59	57

12 Mth Weight	Rank
14.26	30

EMA	Rank
0.68	16

2Yr Velvet	Rank
0.33	57

Mature Velvet	Rank
0.5	57

Carla	Rank
-21.4	49

Notes

Comments:	Sale Day Weight:
Purchaser:	Price:

Terminal Sire Index EBV in Dollars	
\$	Rank
22.74	30

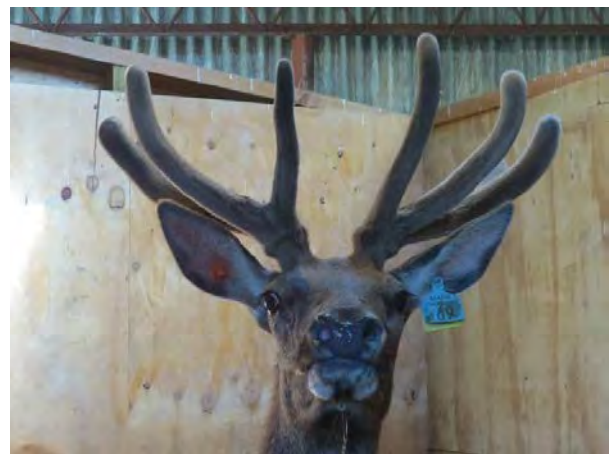
Lot 39



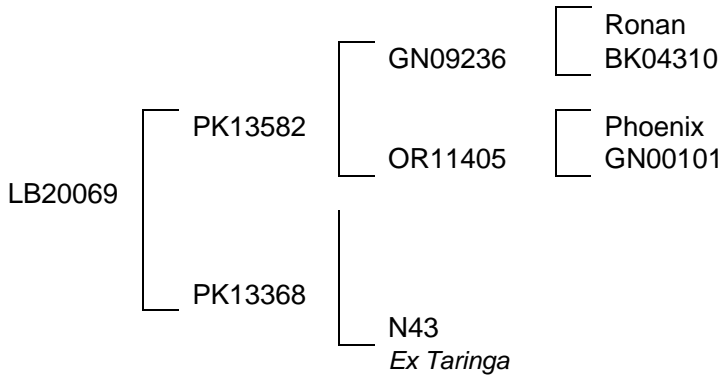
LB20 069



Left & Above LB20 069 at 3 Years



LB20 069 at 2 Years



Actual Statistics

Body Weight						
March Weight	May Weight	9 Mth Weight	10 Mth Weight	13 Mth Weight	27 Mth Weight	36 Mth Weight
103	126	125	141	183	246	314

EMA
31.09

%EIk
79.4

Carla
22.86
High

DoB

8/12/20

Growth rates grams per day			
Birth	May	Sept	13 Mth
736	-8	475	
Average overall growth rate: 421			

Velvet			
2 Yr		3Yr	
Weight	Beam	Weight	Beam
3.01	13.5	4.38	15

Estimated Breed Values

Wean Weight	Rank
10.41	14

12 Mth Weight	Rank
16.98	14

EMA	Rank
0.42	28

2Yr Velvet	Rank
0.6	29

Mature Velvet	Rank
0.91	30

Carla	Rank
70.40	14

Notes

Comments:	Sale Day Weight:
Purchaser:	Price:

Terminal Sire Index EBV in Dollars	
\$	Rank
25.49	18

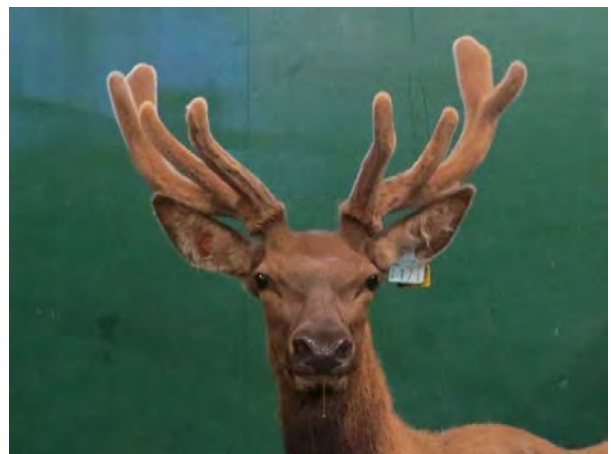
Lot 40



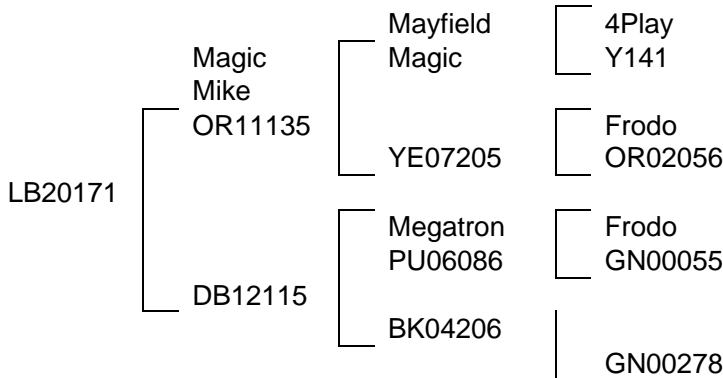
LB20 171



Left & Above LB20 171 at 3 Years



LB20 171 at 2 Years



Actual Statistics

Body Weight						
March Weight	May Weight	9 Mth Weight	10 Mth Weight	13 Mth Weight	27 Mth Weight	36 Mth Weight
90	111	133	145	181	238	309

EMA
33.18

%EIk
81.3

Carla
8.29
High

DoB

7/12/20

Growth rates grams per day			
Birth	May	Sept	13 Mth
635	176	393	
Average overall growth rate: 415			

Velvet			
2 Yr		3Yr	
Weight	Beam	Weight	Beam
3.08	14	4.97	15.5

Estimated Breed Values

Wean Weight	Rank
4.52	60

12 Mth Weight	Rank
10.93	55

EMA	Rank
-0.42	59

2Yr Velvet	Rank
0.49	45

Mature Velvet	Rank
0.76	43

Carla	Rank
18.14	18

Notes

Comments:	Sale Day Weight:
Purchaser:	Price:

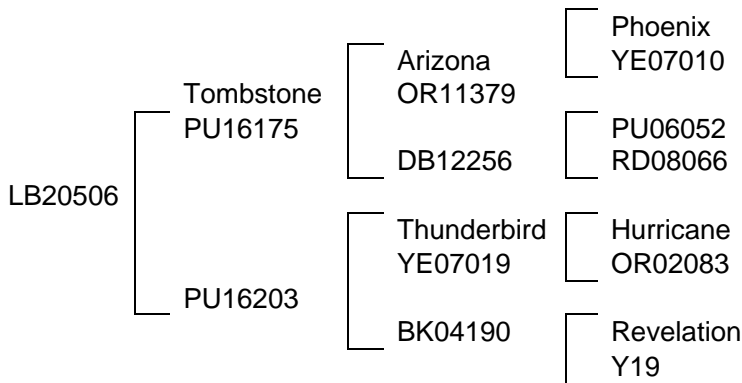
Terminal Sire Index EBV in Dollars	
\$	Rank
15.82	56

Lot 41

LB20 506



Left & Above LB21 506 at 3 Years



LB20 506 at 2 Years

Actual Statistics

Body Weight						
March Weight	May Weight	9 Mth Weight	10 Mth Weight	13 Mth Weight	27 Mth Weight	36 Mth Weight
81	96		139	181		305

EMA
38.84

%EIk
76.2

Carla
9.11
High

DoB

3/12/20

Growth rates grams per day			
Birth	May	Sept	13 Mth
510			
Average overall growth rate: 411			

Velvet			
2 Yr		3Yr	
Weight	Beam	Weight	Beam
3.5	15.5	7.37	18

Estimated Breed Values

Wean Weight	Rank
8.08	33

12 Mth Weight	Rank
17.62	10

EMA	Rank
-0.09	53

2Yr Velvet	Rank
0.49	44

Mature Velvet	Rank
0.75	44

Carla	Rank
16.04	30

Notes

Comments:	Sale Day Weight:
Purchaser:	Price:

Terminal Sire Index EBV in Dollars	
\$	Rank
28.53	9

Lot 42

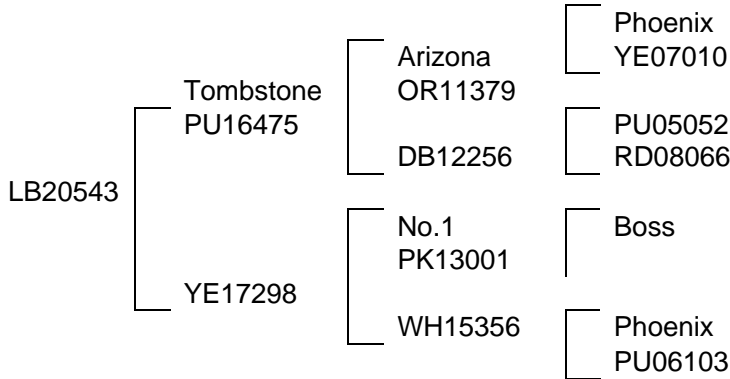
LB20 543



Left & Above LB20 543 at 3 Years



LB20 543 at 2 Years



Actual Statistics

Body Weight						
March Weight	May Weight	9 Mth Weight	10 Mth Weight	13 Mth Weight	27 Mth Weight	36 Mth Weight
83	102	138	151	188	246	314

EMA
38.77

%Elk
71.5

Carla
10.35
High

DoB

6/12/20

Growth rates grams per day			
Birth	May	Sept	13 Mth
559	295	410	
Average overall growth rate: 432			

Velvet			
2 Yr		3Yr	
Weight	Beam	Weight	Beam
3.39	16.5	6.7	17.5

Estimated Breed Values

Wean Weight	Rank
11.57	9

12 Mth Weight	Rank
24.75	1

EMA	Rank
0.72	14

2Yr Velvet	Rank
0.68	23

Mature Velvet	Rank
1.04	24

Carla	Rank
16.15	29

Notes

Comments:	Sale Day Weight:
Purchaser:	Price:

Terminal Sire Index EBV in Dollars	
\$	Rank
40.56	1

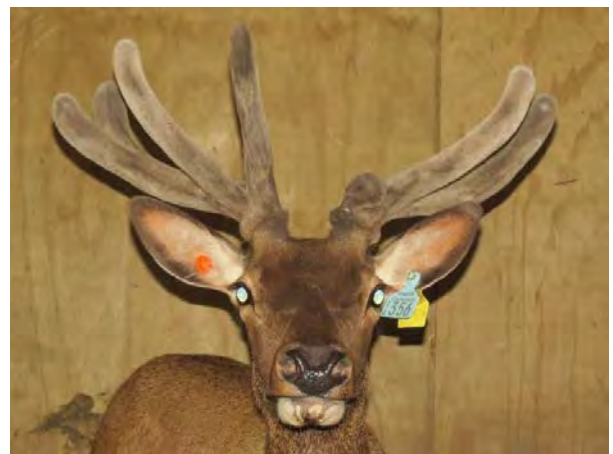
Lot 43



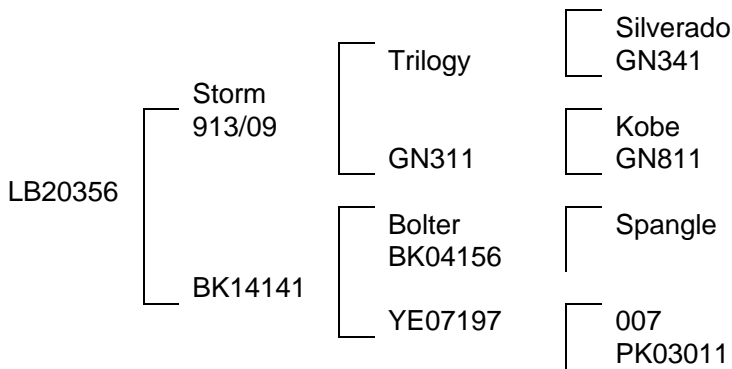
LB20 356



Left & Above LB20 356 at 3 Years



LB20 356 at 2 Years



Actual Statistics

Body Weight						
March Weight	May Weight	9 Mth Weight	10 Mth Weight	13 Mth Weight	27 Mth Weight	36 Mth Weight
103	122	126	147	186	247	307

EMA
39.57

%EIk
81.5

Carla
4.95
Med

DoB

12/12/20

Growth rates grams per day			
Birth	May	Sept	13 Mth
724	33	492	
Average overall growth rate: 433			

Velvet			
2 Yr		3Yr	
Weight	Beam	Weight	Beam
2.87	13.5	5.27	15

Estimated Breed Values

Wean Weight	Rank
11.74	8

12 Mth Weight	Rank
15.24	23

EMA	Rank
0.57	21

2Yr Velvet	Rank
1.2	9

Mature Velvet	Rank
1.94	9

Carla	Rank
-15.1	47

Notes

Comments:	Sale Day Weight:
Purchaser:	Price:

Terminal Sire Index EBV in Dollars	
\$	Rank
27.78	11

Lot 44



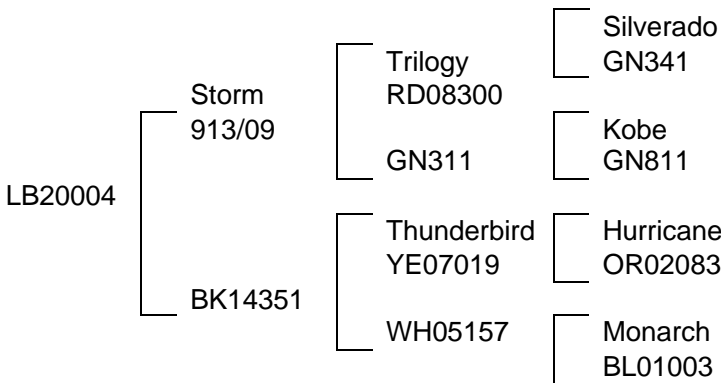
LB20 004



Left & Above LB20 004 at 3 Years



LB20 004 at 3 Years



Actual Statistics

Body Weight						
March Weight	May Weight	9 Mth Weight	10 Mth Weight	13 Mth Weight	27 Mth Weight	36 Mth Weight
118	140	154	169	219		296

EMA
39.9

%Eik
84.9

Carla
10.4
High

DoB

3/12/20

Growth rates grams per day			
Birth	May	Sept	13 Mth
799	114	533	
Average overall growth rate: 506			

Velvet			
2 Yr		3Yr	
Weight	Beam	Weight	Beam
		4.89	16.5

Estimated Breed Values

Wean Weight	Rank
14.23	2

12 Mth Weight	Rank
21.90	2

EMA	Rank
0.36	31

2Yr Velvet	Rank
1.28	6

Mature Velvet	Rank
2.07	6

Carla	Rank
29.94	22

Notes

Comments:	Sale Day Weight:
Purchaser:	Price:

Terminal Sire Index EBV in Dollars	
\$	Rank
35.73	2

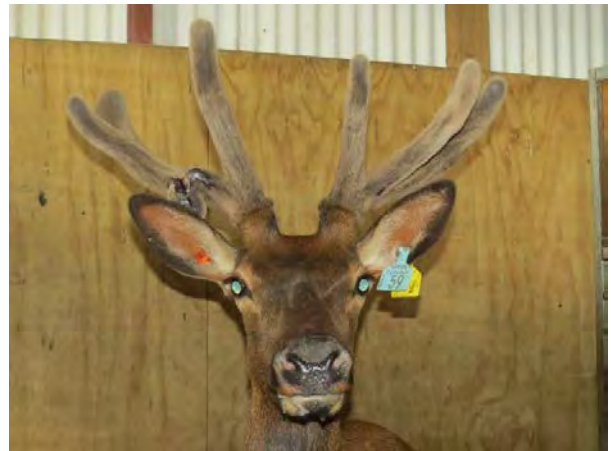
Lot 45



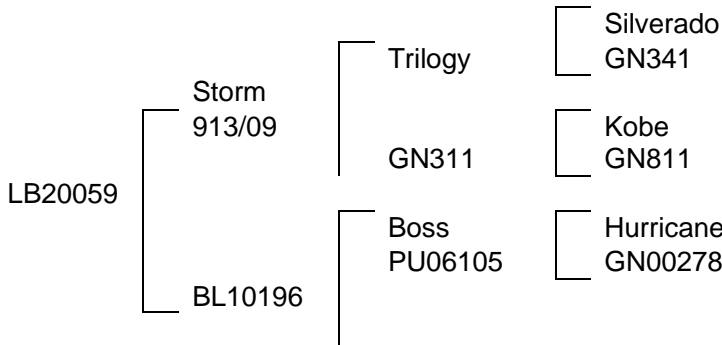
LB20 059



Left & Above LB20 059 at 3 Years



LB20 059 at 2 Years



Actual Statistics

Body Weight						
March Weight	May Weight	9 Mth Weight	10 Mth Weight	13 Mth Weight	27 Mth Weight	36 Mth Weight
100	120	123	141	194	242	297

EMA
29.63

%Eik
84.1

Carla
12.42
High

DoB

3/12/20

Growth rates grams per day				
Birth	May	Sept	13 Mth	
673	24	582		
Average overall growth rate: 444				

Velvet			
2 Yr		3Yr	
Weight	Beam	Weight	Beam
2.93	14	5.22	16

Estimated Breed Values

Wean Weight	Rank
9.67	18

12 Mth Weight	Rank
14.74	29

EMA	Rank
0.81	7

2Yr Velvet	Rank
1.34	5

Mature Velvet	Rank
2.15	5

Carla	Rank
5.36	35

Notes

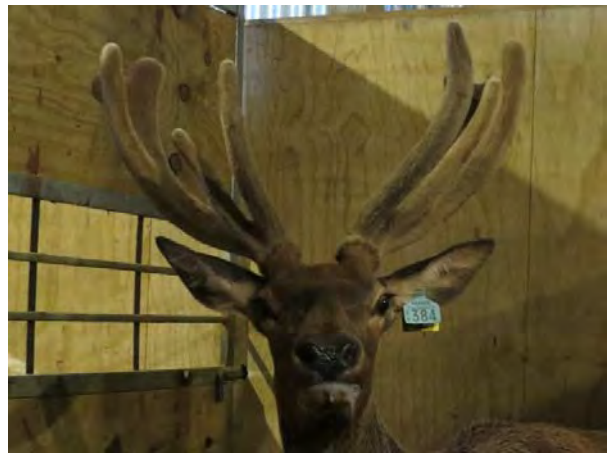
Comments:	Sale Day Weight:
Purchaser:	Price:

Terminal Sire Index EBV in Dollars	
\$	Rank
26.68	13

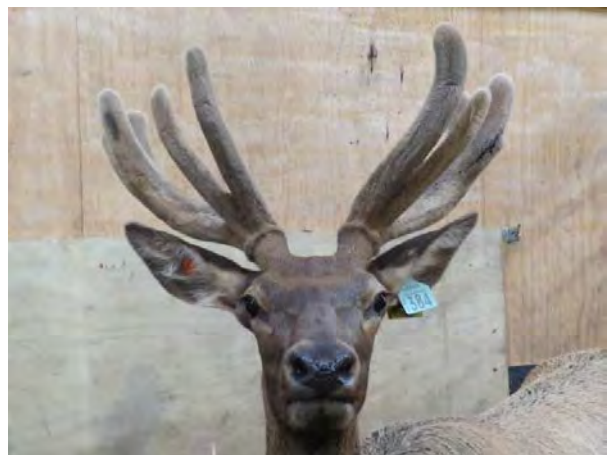
Lot 46



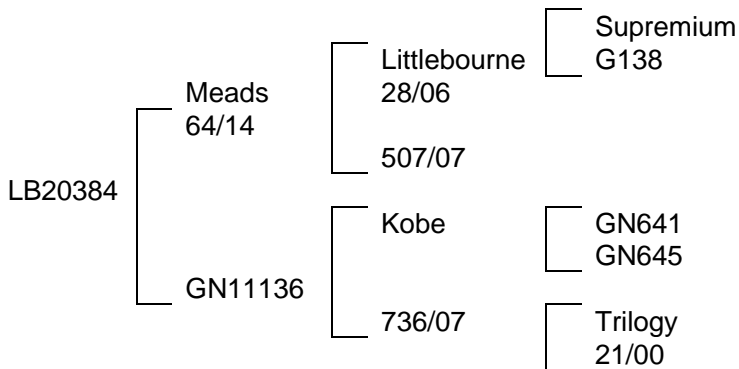
LB20 384



Left & Above LB20 384 at 3 Years



LB20 384 at 2 Years



Actual Statistics

Body Weight						
March Weight	May Weight	9 Mth Weight	10 Mth Weight	13 Mth Weight	27 Mth Weight	36 Mth Weight
	101	119	131	185	243	306

EMA
34.14

%EIk
76.3

Carla
4.05
Med

DoB

29/11/20

Growth rates grams per day			
Birth	May	Sept	13 Mth
532	146	541	
Average overall growth rate: 417			

Velvet			
2 Yr		3Yr	
Weight	Beam	Weight	Beam
3.84	14.5	5.39	17

Estimated Breed Values

Wean Weight	Rank
13.72	3

12 Mth Weight	Rank
20.22	5

EMA	Rank
0.26	38

2Yr Velvet	Rank
1.2	10

Mature Velvet	Rank
1.9	10

Carla	Rank
-46.7	59

Notes

Comments:	Sale Day Weight:
Purchaser:	Price:

Terminal Sire Index EBV in Dollars	
\$	Rank
29.10	7

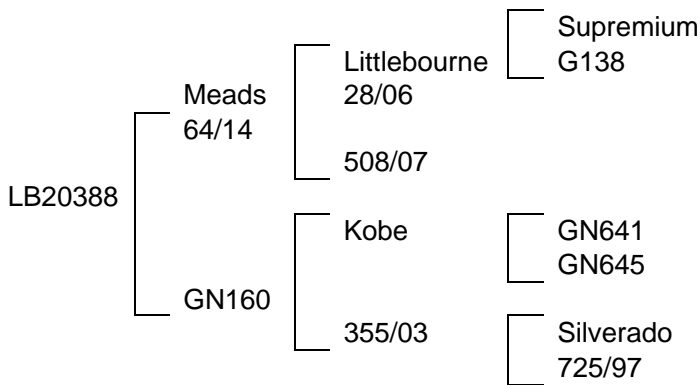
Lot 47



LB20 388



Left & Above LB20 388 at 3 Years



LB20 388 at 2 Years

Actual Statistics

Body Weight						
March Weight	May Weight	9 Mth Weight	10 Mth Weight	13 Mth Weight	27 Mth Weight	36 Mth Weight
96	111	126	135	180	233	305

EMA
32.39

%Eik
73.4

Carla
12.74
High

DoB 9/12/20

Growth rates grams per day			
Birth	May	Sept	13 Mth
635	122	443	
Average overall growth rate: 415			

Velvet			
2 Yr		3Yr	
Weight	Beam	Weight	Beam
3.96	15	6.47	16.5

Estimated Breed Values

Wean Weight	Rank
12.59	4

12 Mth Weight	Rank
19.14	7

EMA	Rank
0.36	36

2Yr Velvet	Rank
2.27	1

Mature Velvet	Rank
3.52	1

Carla	Rank
-13.6	46

Notes

Comments:	Sale Day Weight:
Purchaser:	Price:

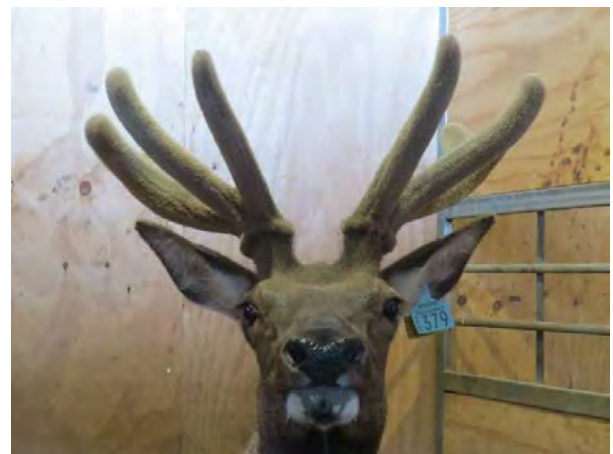
Terminal Sire Index EBV in Dollars	
\$	Rank
28.79	8

Lot 48

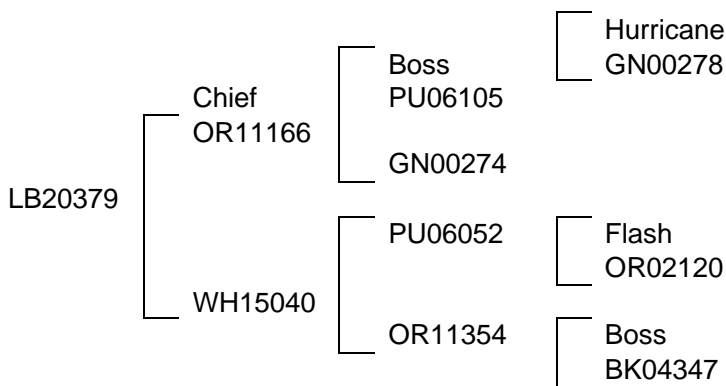
LB20 379



Left & Above LB20 379 at 3 Years



LB20 379 at 2 Years



Actual Statistics

Body Weight						
March Weight	May Weight	9 Mth Weight	10 Mth Weight	13 Mth Weight	27 Mth Weight	36 Mth Weight
103	111	130	142	175	244	307

EMA
30.38

%Elk
76.6

Carla
7.88
High

DoB

28/11/20

Growth rates grams per day			
Birth	May	Sept	13 Mth
591	154	369	
Average overall growth rate: 391			

Velvet			
2 Yr		3Yr	
Weight	Beam	Weight	Beam
3.37	15.5	5.94	17

Estimated Breed Values

Wean Weight	Rank
9.10	24

12 Mth Weight	Rank
12.47	45

EMA	Rank
0.86	6

2Yr Velvet	Rank
0.55	36

Mature Velvet	Rank
0.83	38

Carla	Rank
1.87	39

Notes

Comments:	Sale Day Weight:
Purchaser:	Price:

Terminal Sire Index EBV in Dollars	
\$	Rank
21.12	37

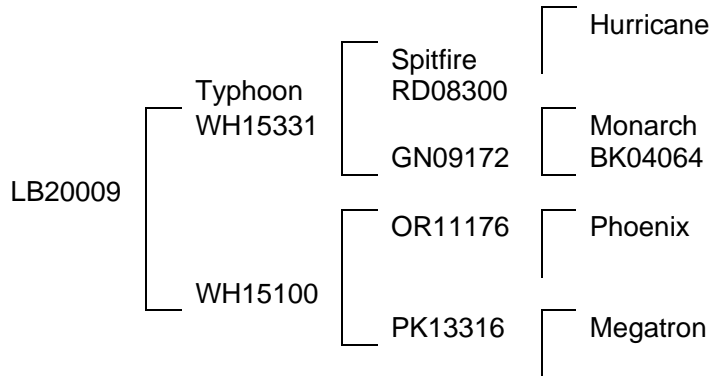
Lot 49



LB20 009



Left & Above LB20 009 at 3 Years



LB20 009 at 2 Years

Actual Statistics

Body Weight						
March Weight	May Weight	9 Mth Weight	10 Mth Weight	13 Mth Weight	27 Mth Weight	36 Mth Weight
88.5	112	124	136	167	250	303

EMA
31.8

%EIk
74.8

Carla
41.73
High

DoB

4/12/20

Growth rates grams per day			
Birth	May	Sept	13 Mth
621	98	352	
Average overall growth rate: 377			

Velvet			
2 Yr		3Yr	
Weight	Beam	Weight	Beam
2.97	15	5.62	17

Estimated Breed Values

Wean Weight	Rank
6.36	51

12 Mth Weight	Rank
11.07	54

EMA	Rank
0.19	44

2Yr Velvet	Rank
1.08	12

Mature Velvet	Rank
1.64	13

Carla	Rank
259.3	1

Notes

Comments:	Sale Day Weight:
Purchaser:	Price:

Terminal Sire Index EBV in Dollars	
\$	Rank
17.72	53

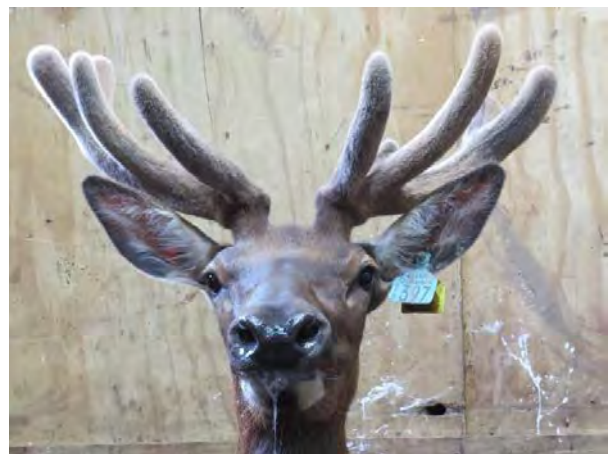
Lot 50



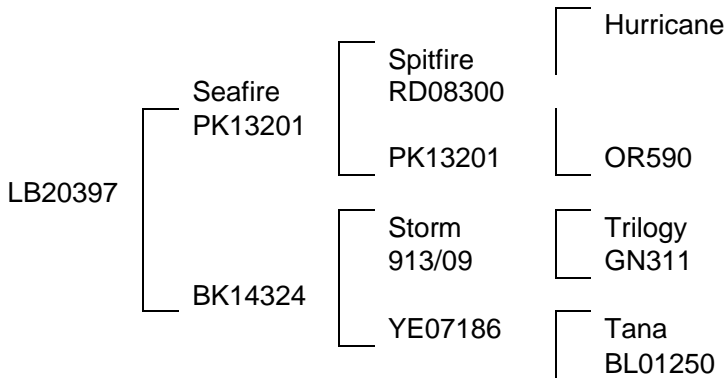
LB20 397



Left & Above LB20 397 at 3 Years



LB20 397 at 2 Years



Actual Statistics

Body Weight						
March Weight	May Weight	9 Mth Weight	10 Mth Weight	13 Mth Weight	27 Mth Weight	36 Mth Weight
95	109	127	131	170	229	293

EMA
34.22

%Eik
75.9

Carla
8.08
High

DoB

5/12/20

Growth rates grams per day				
Birth	May	Sept	13 Mth	
605	146	352		
Average overall growth rate: 385				

Velvet			
2 Yr		3Yr	
Weight	Beam	Weight	Beam
3.35	15	5.82	17.5

Estimated Breed Values

Wean Weight	Rank
7.28	42

12 Mth Weight	Rank
11.84	51

EMA	Rank
0.77	12

2Yr Velvet	Rank
0.99	14

Mature Velvet	Rank
1.59	14

Carla	Rank
-11.9	45

Notes

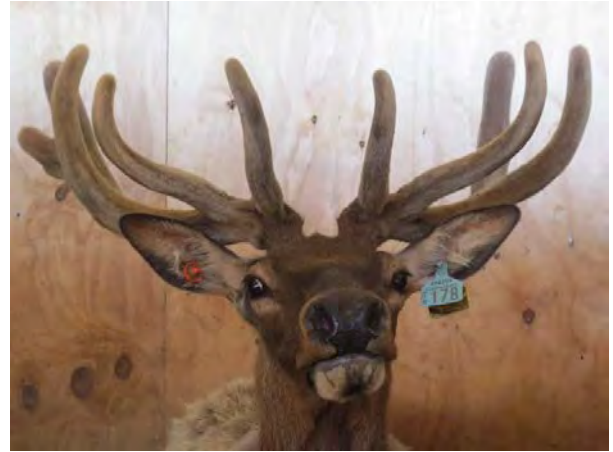
Comments:	Sale Day Weight:
Purchaser:	Price:

Terminal Sire Index EBV in Dollars	
\$	Rank
19.17	48

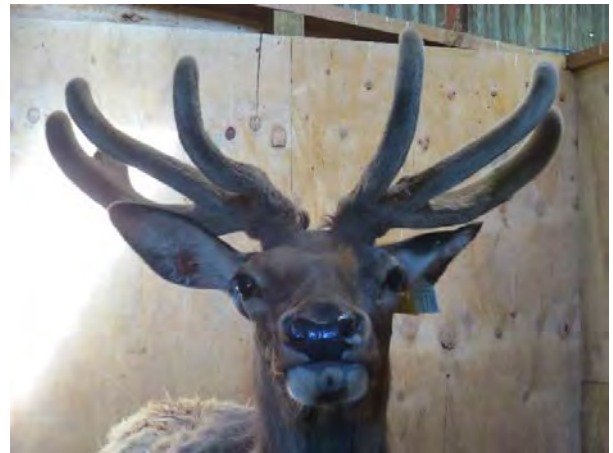
Lot 51



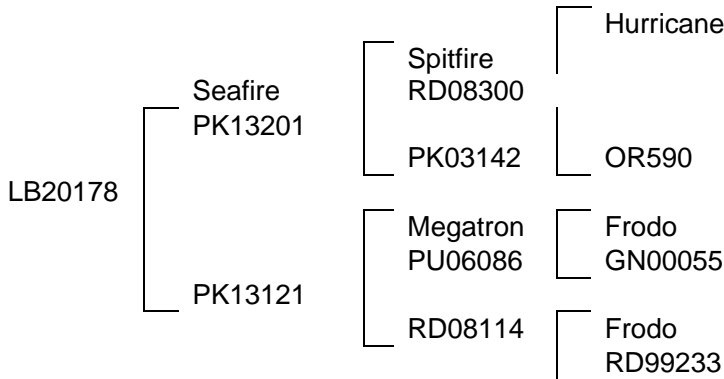
LB20 178



Left & Above LB20 178 at 3 Years



LB20 178 at 2 Years



Actual Statistics

Body Weight						
March Weight	May Weight	9 Mth Weight	10 Mth Weight	13 Mth Weight	27 Mth Weight	36 Mth Weight
92	119	129	147	189	267	297

EMA
31.11

%EIk
77.6

Carla
4.12
Med

DoB

30/11/20

Growth rates grams per day				
Birth	May	Sept	13 Mth	
658	80	492		
Average overall growth rate: 428				

Velvet			
2 Yr		3Yr	
Weight	Beam	Weight	Beam
3.43	14	4.99	15.5

Estimated Breed Values

Wean Weight	Rank
7.03	45

12 Mth Weight	Rank
16.68	16

EMA	Rank
0.76	13

2Yr Velvet	Rank
0.53	42

Mature Velvet	Rank
0.82	41

Carla	Rank
-21	48

Notes

Comments:	Sale Day Weight:
Purchaser:	Price:

Terminal Sire Index EBV in Dollars	
\$	Rank
25.17	20

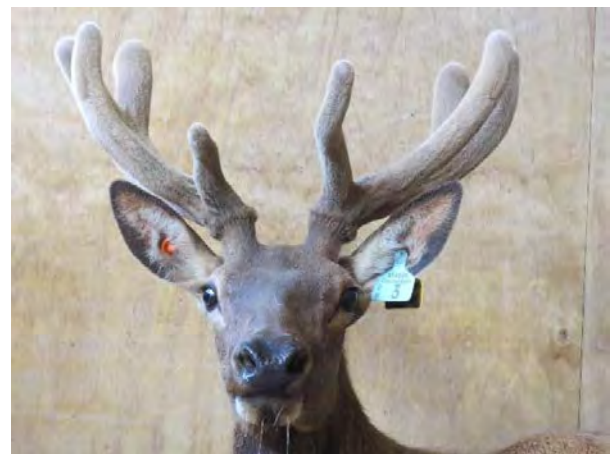
Lot 52



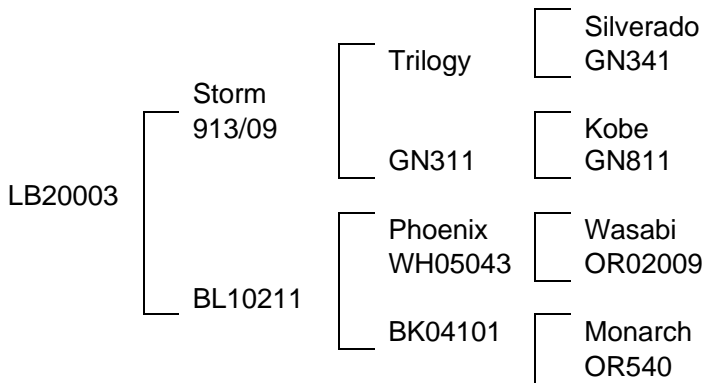
LB20 003



Left & Above LB20 003 at 3 Years



LB20 003 at 2 Years



Actual Statistics

Body Weight						
March Weight	May Weight	9 Mth Weight	10 Mth Weight	13 Mth Weight	27 Mth Weight	36 Mth Weight
93.5	114	121	132	176	237	293

EMA
32.16

%Elk
84

Carla
14.5
High

DoB

3/12/20

Growth rates grams per day			
Birth	May	Sept	13 Mth
630	57	451	
Average overall growth rate: 398			

Velvet			
2 Yr		3Yr	
Weight	Beam	Weight	Beam
3.9	15.5	6.68	18

Estimated Breed Values

Wean Weight	Rank
10.66	12

12 Mth Weight	Rank
16.16	18

EMA	Rank
0.8	8

2Yr Velvet	Rank
1.43	3

Mature Velvet	Rank
2.31	3

Carla	Rank
53.09	18

Notes

Comments:	Sale Day Weight:
Purchaser:	Price:

Terminal Sire Index EBV in Dollars	
\$	Rank
26.54	15

Lot 53



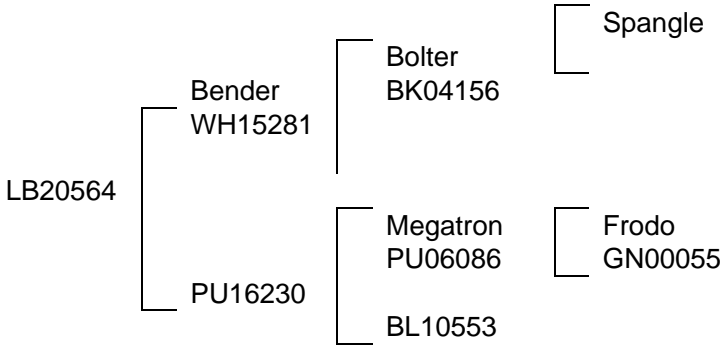
LB20 564



Left & Above LB20 564 at 3 Years



LB20 564 at 2 Years



Actual Statistics

Body Weight						
March Weight	May Weight	9 Mth Weight	10 Mth Weight	13 Mth Weight	27 Mth Weight	36 Mth Weight
79.5	91.5	116	130	168	230	296

EMA
35.86

%EIk
73.5

Carla
16.44
High

DoB

9/12/20

Growth rates grams per day				
Birth	May	Sept	13 Mth	
500	201	426		
Average overall growth rate: 384				

Velvet			
2 Yr		3Yr	
Weight	Beam	Weight	Beam
3.26	16	5.9	18

Estimated Breed Values

Wean Weight	Rank
8.2	32

12 Mth Weight	Rank
12.96	40

EMA	Rank
0.5	26

2Yr Velvet	Rank
0.89	16

Mature Velvet	Rank
1.34	16

Carla	Rank
47.24	20

Notes

Comments:	Sale Day Weight:
Purchaser:	Price:

Terminal Sire Index EBV in Dollars	
\$	Rank
19.82	41

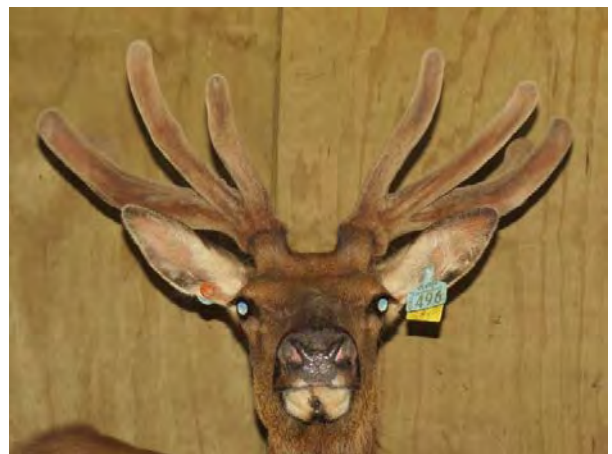
Lot 54



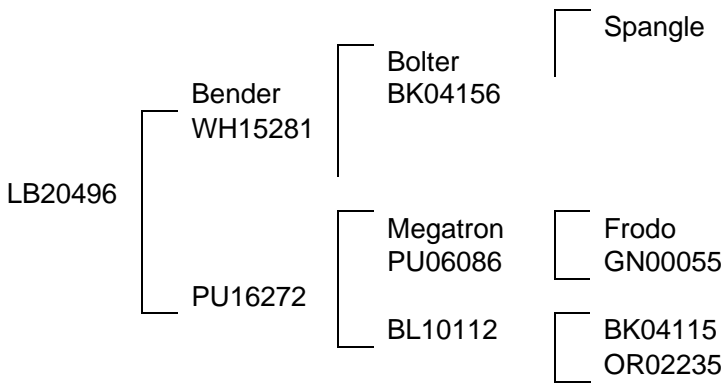
LB20 496



Left & Above LB20 496 at 3 Years



LB20 496 at 2 Years



Actual Statistics

Body Weight						
March Weight	May Weight	9 Mth Weight	10 Mth Weight	13 Mth Weight	27 Mth Weight	36 Mth Weight
93.5	97.5	120	134	183	239	302

EMA
34.79

%Elk
78.1

Carla
7.63
High

DoB

7/12/20

Growth rates grams per day			
Birth	May	Sept	13 Mth
533	184	516	
Average overall growth rate: 420			

Velvet			
2 Yr		3Yr	
Weight	Beam	Weight	Beam
3.46	15.5	5.14	16

Estimated Breed Values

Wean Weight	Rank
10.06	16

12 Mth Weight	Rank
14.02	31

EMA	Rank
0.32	35

2Yr Velvet	Rank
0.88	17

Mature Velvet	Rank
1.32	17

Carla	Rank
23.68	24

Notes

Comments:	Sale Day Weight:
Purchaser:	Price:

Terminal Sire Index EBV in Dollars	
\$	Rank
21.18	36

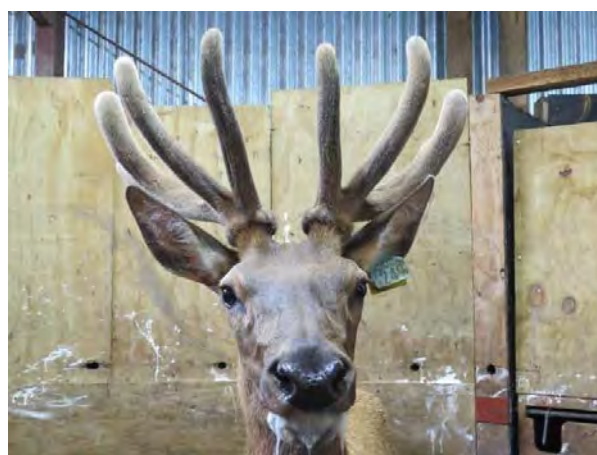
Lot 55



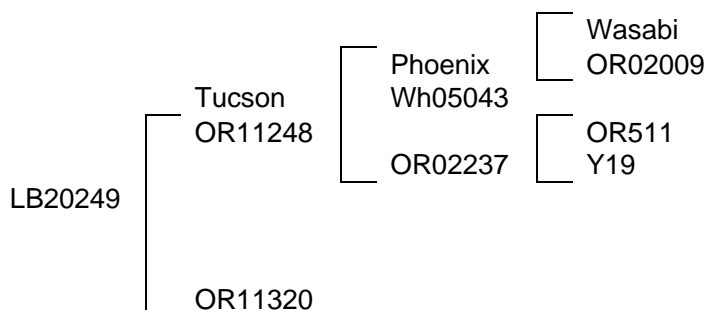
LB20 249



Left & Above LB20 249 at 3 Years



LB20 249 at 2 Years



Actual Statistics

Body Weight						
March Weight	May Weight	9 Mth Weight	10 Mth Weight	13 Mth Weight	27 Mth Weight	36 Mth Weight
89.5	101	136	139	173	228	279

EMA
32.21

%Elk
73.5

Carla
5.26
Med

DoB

28/11/20

Growth rates grams per day			
Birth	May	Sept	13 Mth
535	280	303	
Average overall growth rate: 386			

Velvet			
2 Yr		3Yr	
Weight	Beam	Weight	Beam
3.03	16	5.12	17

Estimated Breed Values

Wean Weight	Rank
7.64	38

12 Mth Weight	Rank
15.13	25

EMA	Rank
0.27	37

2Yr Velvet	Rank
0.42	54

Mature Velvet	Rank
0.66	53

Carla	Rank
-41.2	57

Notes

Comments:	Sale Day Weight:
Purchaser:	Price:

Terminal Sire Index EBV in Dollars	
\$	Rank
21.74	33

Lot 56



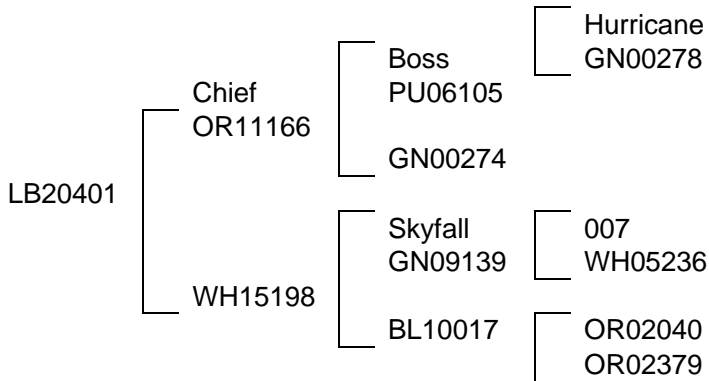
LB20 401



Left & Above LB20 401 at 3 Years



LB20 401 at 2 Years



Actual Statistics

Body Weight						
March Weight	May Weight	9 Mth Weight	10 Mth Weight	13 Mth Weight	27 Mth Weight	36 Mth Weight
103	114	135	152	180	236	286

EMA
32.57

%EIk
74

Carla
15.8
High

DoB

26/11/20

Growth rates grams per day			
Birth	May	Sept	13 Mth
602	171	369	
Average overall growth rate: 401			

Velvet			
2 Yr		3Yr	
Weight	Beam	Weight	Beam
3.86	17.5	5.69	16.5

Estimated Breed Values

Wean Weight	Rank
8.41	30

12 Mth Weight	Rank
13.10	39

EMA	Rank
1.17	2

2Yr Velvet	Rank
0.65	26

Mature Velvet	Rank
0.97	28

Carla	Rank
38.11	21

Notes

Comments:	Sale Day Weight:
Purchaser:	Price:

Terminal Sire Index EBV in Dollars	
\$	Rank
22.50	31

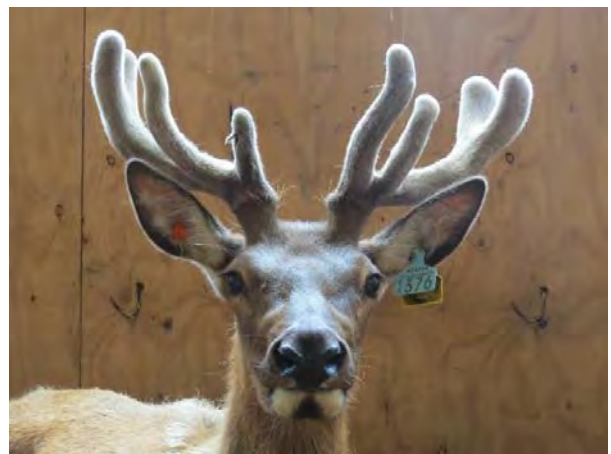
Lot 57



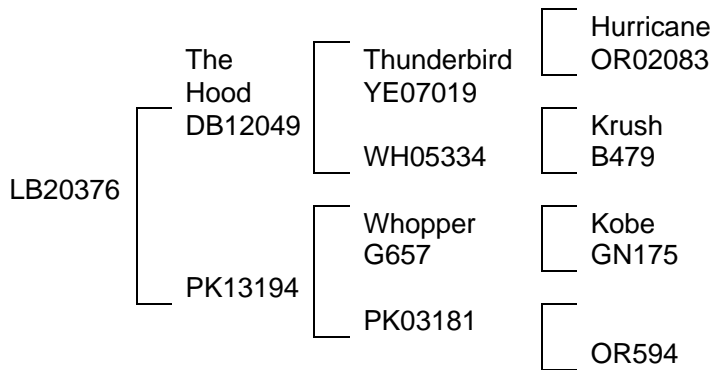
LB20 376



Left & Above LB20 376 at 3 Years



LB20 376 at 2 Years



Actual Statistics

Body Weight						
March Weight	May Weight	9 Mth Weight	10 Mth Weight	13 Mth Weight	27 Mth Weight	36 Mth Weight
94.5	109	123	142	183	208	289

EMA
32.1

%Elk
75.7

Carla
35.3
High

DoB

1/12/20

Growth rates grams per day			
Birth	May	Sept	13 Mth
590	114	492	
Average overall growth rate: 414			

Velvet			
2 Yr		3Yr	
Weight	Beam	Weight	Beam
2.44	14	5.29	16

Estimated Breed Values

Wean Weight	Rank
6.12	52

12 Mth Weight	Rank
10.09	57

EMA	Rank
0.44	27

2Yr Velvet	Rank
0.67	24

Mature Velvet	Rank
1.04	25

Carla	Rank
91.79	11

Notes

Comments:	Sale Day Weight:
Purchaser:	Price:

Terminal Sire Index EBV in Dollars	
\$	Rank
18.25	51

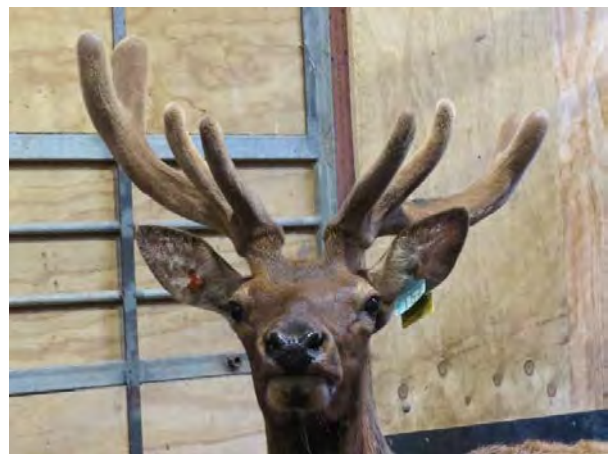
Lot 58



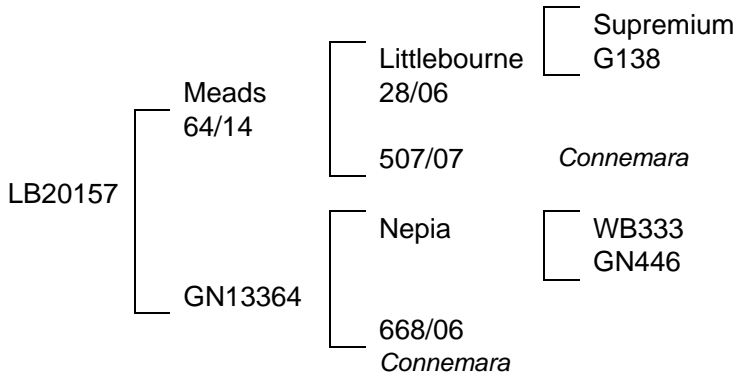
LB20 157



Left & Above LB20 157 at 3 Years



LB20 157 at 2 Years



Actual Statistics

Body Weight						
March Weight	May Weight	9 Mth Weight	10 Mth Weight	13 Mth Weight	27 Mth Weight	36 Mth Weight
76	90	122	130	173	224	288

EMA
33.83

%Eik
74.4

Carla
6.43
High

DoB

4/12/20

Growth rates grams per day			
Birth	May	Sept	13 Mth
483	256	418	
Average overall growth rate: 392			

Velvet			
2 Yr		3Yr	
Weight	Beam	Weight	Beam
3.27	16	5.69	18

Estimated Breed Values

Wean Weight	Rank
8.93	25

12 Mth Weight	Rank
13.26	38

EMA	Rank
0.77	10

2Yr Velvet	Rank
2.19	2

Mature Velvet	Rank
3.47	2

Carla	Rank
-31	52

Notes

Comments:	Sale Day Weight:
Purchaser:	Price:

Terminal Sire Index EBV in Dollars	
\$	Rank
19.44	45

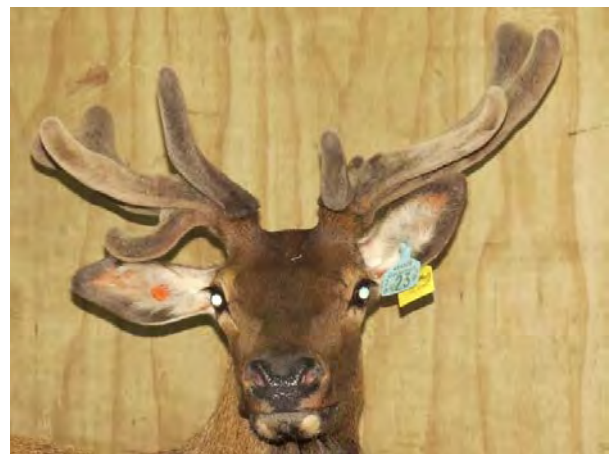
Lot 59



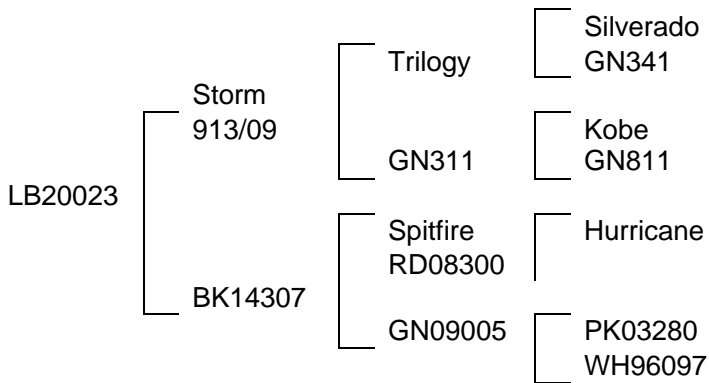
LB20 023



Left & Above LB20 023 at 3 Years



LB20 023 at 2 Years



Actual Statistics

Body Weight						
March Weight	May Weight	9 Mth Weight	10 Mth Weight	13 Mth Weight	27 Mth Weight	36 Mth Weight
103	120	126	136	173	220	273

EMA
34.21

%EIk
83.8

Carla
23.84
High

DoB

27/11/20

Growth rates grams per day				
Birth	May	Sept	13 Mth	
644	49	385		
Average overall growth rate: 385				

Velvet			
2 Yr		3Yr	
Weight	Beam	Weight	Beam
3.46	15	5.54	17

Estimated Breed Values

Wean Weight	Rank
9.81	17

12 Mth Weight	Rank
12.87	43

EMA	Rank
0.51	23

2Yr Velvet	Rank
1.25	7

Mature Velvet	Rank
2.02	7

Carla	Rank
9.6	34

Notes

Comments:	Sale Day Weight:
Purchaser:	Price:

Terminal Sire Index EBV in Dollars	
\$	Rank
22.97	27

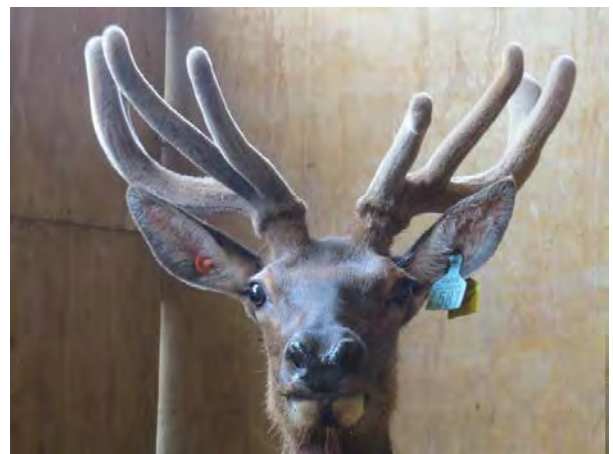
Lot 60



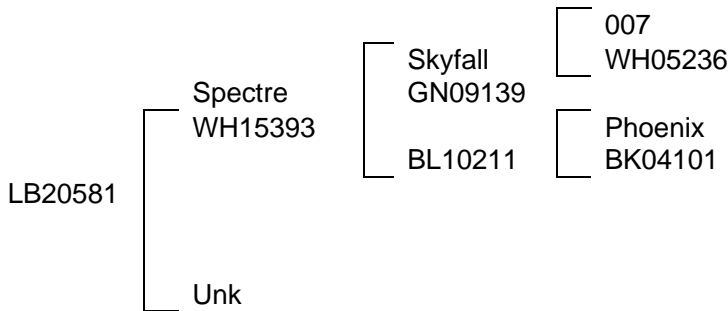
LB20 581



Left & Above LB20 581 at 3 Years



LB20 581 at 2 Years



Actual Statistics

Body Weight						
March Weight	May Weight	9 Mth Weight	10 Mth Weight	13 Mth Weight	27 Mth Weight	36 Mth Weight
80	87	120	133	149	212	267

EMA
35.33

%Elk
76

Carla
7.42
High

DoB*

8/12/20

Growth rates grams per day			
Birth	May	Sept	13 Mth
467	270	238	
Average overall growth rate: 335			

Velvet			
2 Yr		3Yr	
Weight	Beam	Weight	Beam
2.8	13.5	5.12	15.5

Estimated Breed Values

Wean Weight	Rank
5.78	54

12 Mth Weight	Rank
9.75	58

EMA	Rank
0.22	43

2Yr Velvet	Rank
0.43	53

Mature Velvet	Rank
0.67	52

Carla	Rank
53.88	17

Notes

Comments:	Sale Day Weight:
Purchaser:	Price:

Terminal Sire Index EBV in Dollars	
\$	Rank
11.50	60

Notes



LB20003



LB20013



LB20004



LB20020



LB20006



LB20023



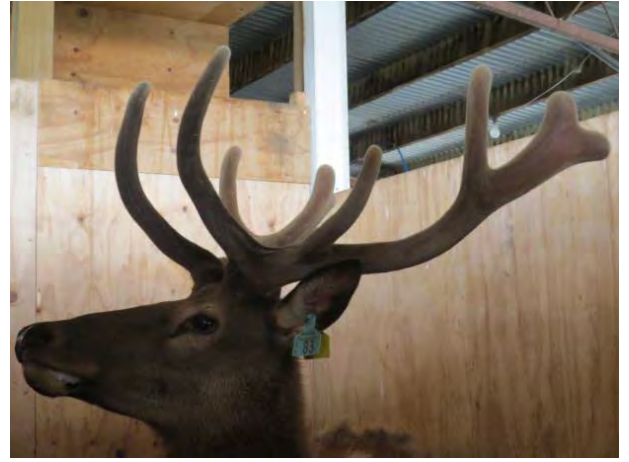
LB20009



LB20027



LB20034



LB20083



LB20059



LB20094



LB20075



LB20106



LB20081



LB20122



LB20124



LB20171



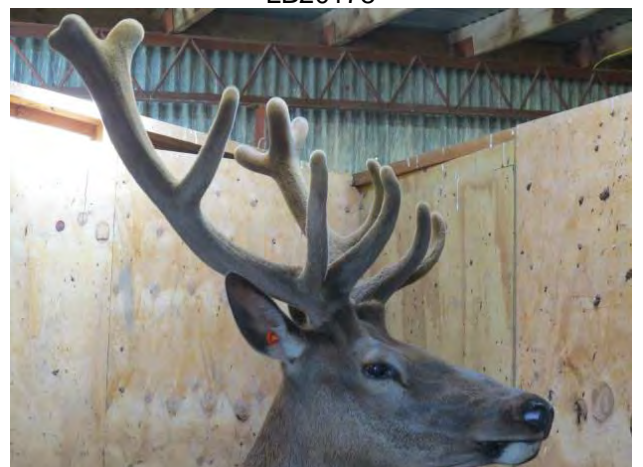
LB20144



LB20178



LB200151



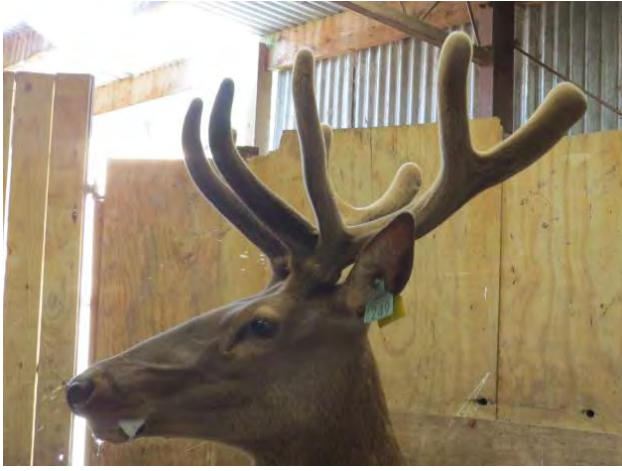
LB20181



LB20157



LB20182



LB20249



LB20335



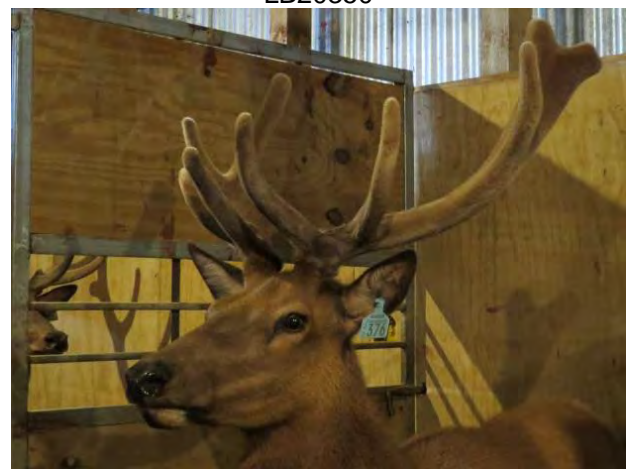
LB20256



LB20350



LB20283



LB20376



LB20291



LB20379



LB20384



LB20397



LB20387



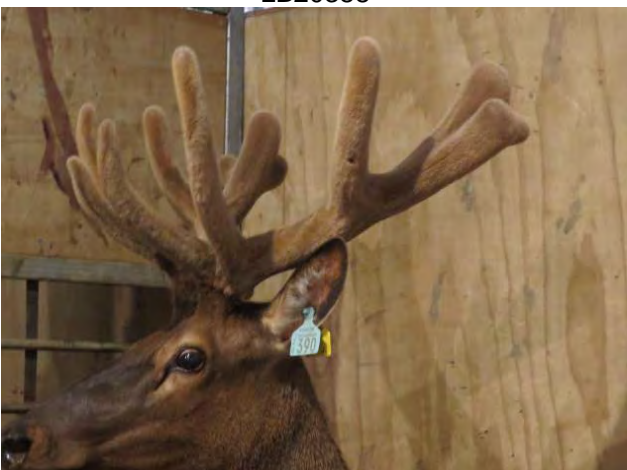
LB20420



LB20388



LB20486



LB20390



LB20497



LB20506



LB20568



LB20510



LB20581



LB20543

BUYER'S INSTRUCTION SLIP

(No verbal instructions can be accepted)

Name

Address

.....

.....

Lots Purchased

..... Total Number

Delivered to

.....

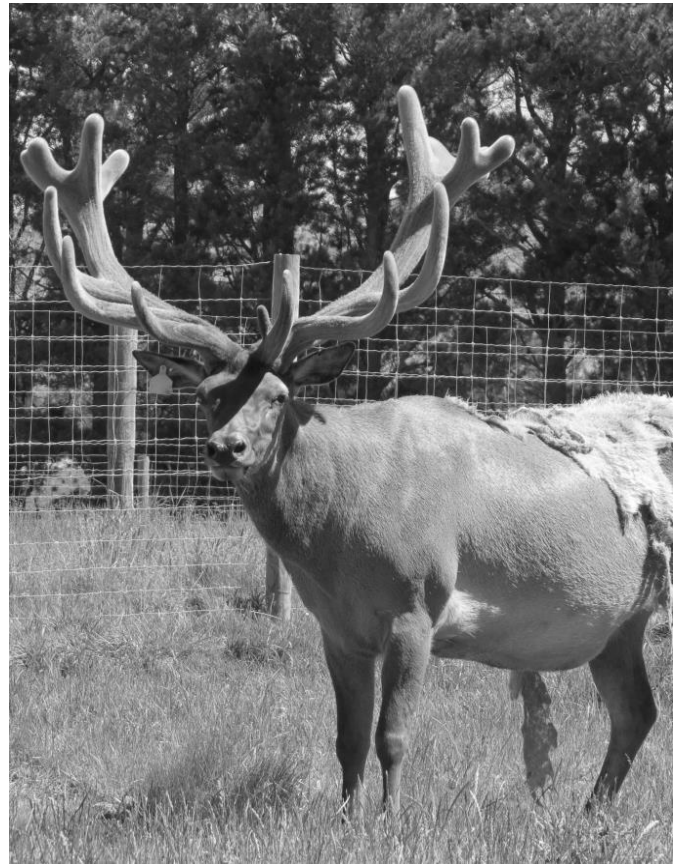
Insure for (State Period) Months

Signature of Buyer





Wasabi GN00207



Phoenix WH05043



Arizona (OR11379)



Tombstone (PU16475)

4 Generations of Top Bulls

NOTES:

McMAHON design studio

Experts in Design & Print Solutions

A: 9 Cumnock Street, Wallacetown

P: 027 242 8109

E: mcmahondesign@outlook.com



Contact us to book a
time to chat with our team.

We'd love to help bring your vision to life.

We can help with:

- CUSTOM LOGO & BRAND PACKAGES & ADVERTISING DESIGN
- PHOTO EDITING, PHOTO BOOKS, CANVASES & CALENDARS
- ALL YOUR OFFICE & WORKSHOP STATIONERY
- WEDDING & EVENT STATIONERY PACKAGES
- PERSONAL STATIONERY, GIFT ITEMS & PACKAGING
- CERTIFICATES - BOOKLETS - NEWSLETTERS - FLYERS
- STICKERS - VINYL DECALS (ADHESIVE & HEAT TRANSFER)

Clachanburn Stn

316 Puketoi Runs Road
Ranfurlly, 9398

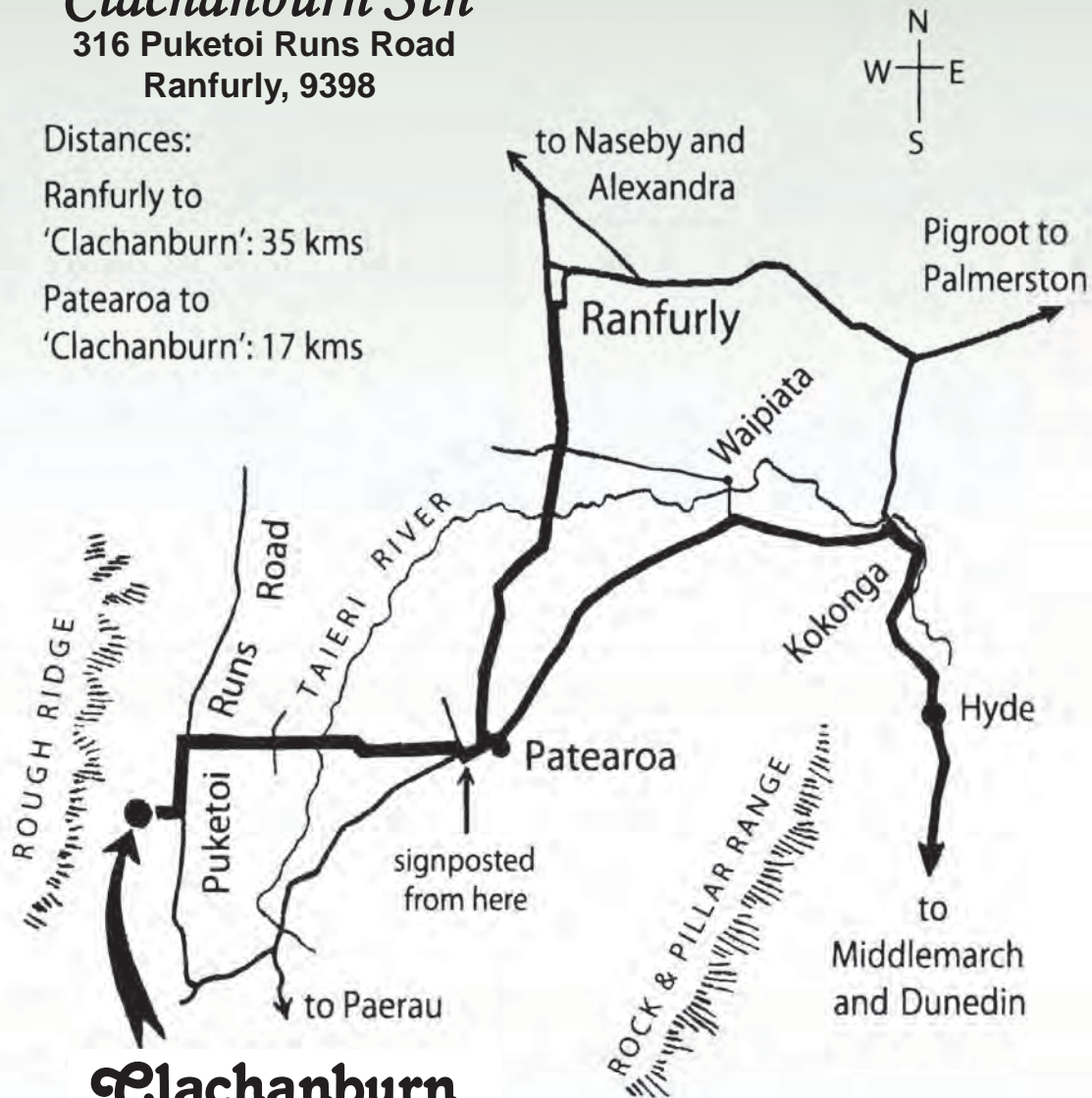
Distances:

Ranfurlly to

'Clachanburn': 35 kms

Patearoa to

'Clachanburn': 17 kms



Clachanburn Elk

Travel from Ranfurlly to Patearoa. At Patearoa cross Sowburn bridge, continue $\frac{1}{2}$ km then 1st turn right. After 200m take 1st turn left, cross Taieri River, drive towards hill (Rough Ridge) and at T-intersection turn left. Clachanburn is 3 km along, on right side of road. Signposted south of Patearoa.